

### DL4003L



Project:

Type:

Prepared By:

Date:

### FEATURES

- High Pressure Die Cast Aluminum Housing and cover
- Polycarbonate optical lens: Type III
- Ultra clear glass lens
- Mount on standard arm
- Receptacle and Photocontrol for optional
- 10KV or 20KV Surge Protective device for optional
- Long-life, high-efficiency surface mounting LEDs
- L70>50,000 Hours Rated Lifespan
- 5-year Warranty
- Ambient Temperature -35 to 40 ° C
- IP65 Rated LED Module

### APPLICATIONS:

- Street Lighting
- Intersections
- Parking lots
- Public Areas



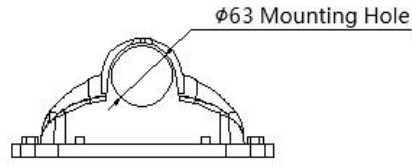
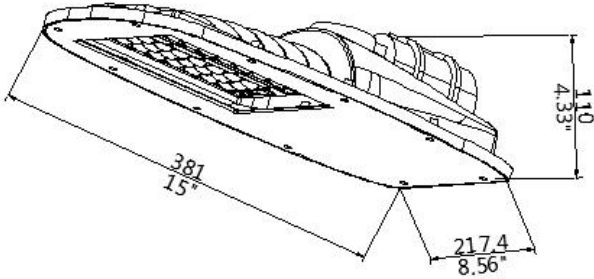
### LED/DRIVER

- Universal Input Voltage 120-277Vac 50/60Hz
- Line to Earth 6KV Surge Protection
- IP67 Rated LED Driver
- Power Factor > 0.90
- THD < 20%
- CRI > 70
- CCT `: 4000K/5000K

ITEM NO	Input Wattage	Input Voltage	LED Module	Delivered Lumens	Luminaire Efficacy	COLOR TEMP(CCT)
DL4003L30	26W	120-277Vac	1	3328 LM	128 LM/W	5000K
DL4003L60	55W	120-277Vac	1	6765 LM	123 LM/W	5000K

### DIMENSIONS

### DATE

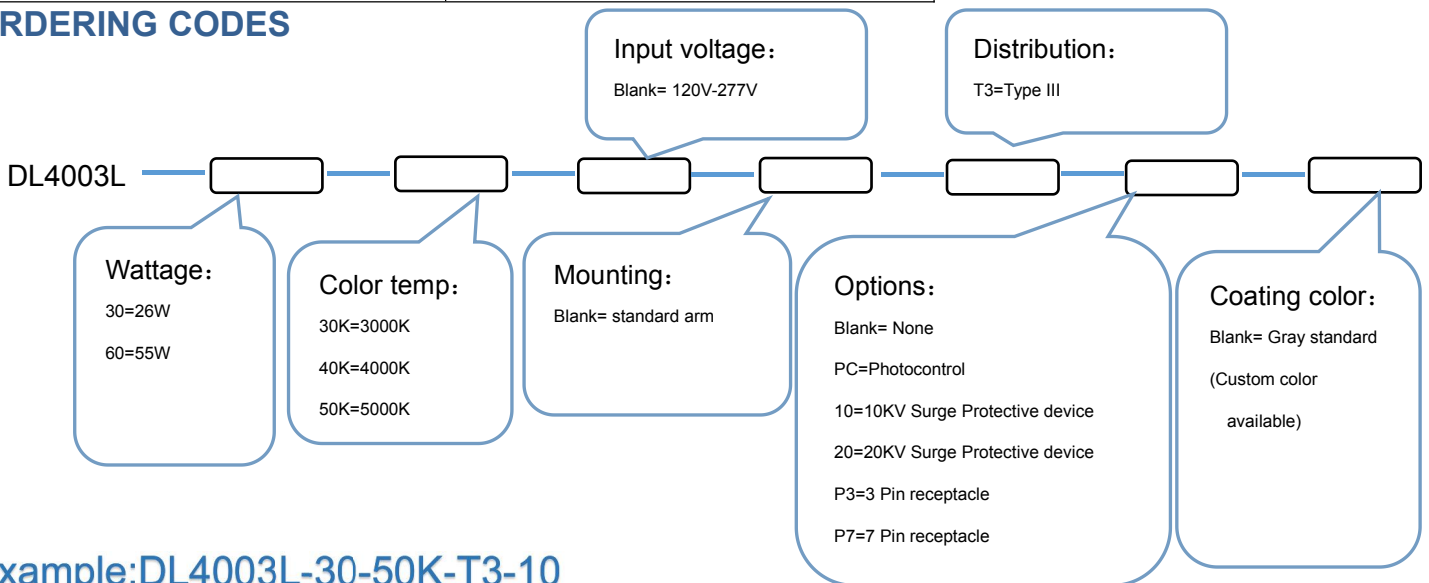


Effective Projected Area  
EPA=0.8 FT<sup>2</sup>  
Package:39.3\*23\*12.5CM  
Net Weight: 2.7 KG

### FEATURES & OPTIONS

Photocontrol	10KV SPD	20KV SPD
		
NEMA 3-pin rotatable receptacle	NEMA 7-pin rotatable receptacle	
		

### ORDERING CODES



Example:DL4003L-30-50K-T3-10