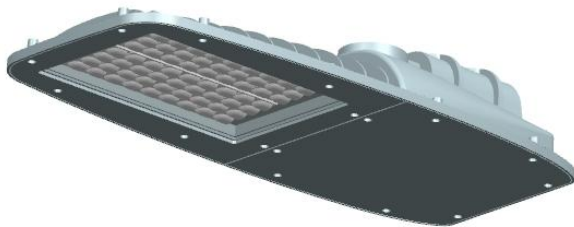


DL4004L



Project:

Type:

Prepared By:

Date:

FEATURES

- High Pressure Die Cast Aluminum Housing and cover
- Polycarbonate optical lens: Type III
- Ultra clear glass lens
- Mount on standard arm
- Receptacle and Photocontrol for optional
- 10KV or 20KV Surge Protective device for optional
- Long-life, high-efficiency surface mounting LEDs
- L70>50,000 Hours Rated Lifespan
- 5-year Warranty
- Ambient Temperature -35 to 40 ° C
- IP65 Rated LED Module

APPLICATIONS:

- Street Lighting
- Intersections
- Parking lots
- Public Areas



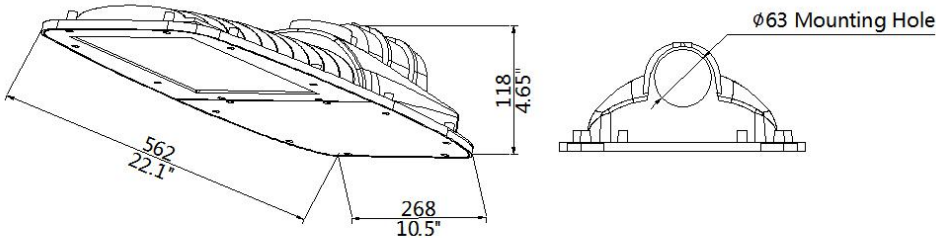
LED/DRIVER

- Universal Input Voltage 120-277Vac 50/60Hz
- Line to Earth 10KV Surge Protection
- IP67 Rated LED Driver
- Power Factor > 0.90
- THD < 20%
- CRI > 70
- CCT ∓: 4000K/5000K

ITEM NO	Input Wattage	Input Voltage	LED Module	Delivered Lumens	Luminaire Efficacy	COLOR TEMP(CCT)
DL4004L100	100W	120-277Vac	1	14000 LM	140 LM/W	5000K
DL4004L120	120W	120-277Vac	1	16200 LM	135 LM/W	5000K
DL4004L145	145W	120-277Vac	1	20300 LM	140 LM/W	5000K
DL4004L160	160W	120-277Vac	1	21600 LM	135 LM/W	5000K
DL4004L180	180W	120-277Vac	1	25200 LM	140 LM/W	5000K
DL4004L200	200W	120-277Vac	1	27000 LM	135 LM/W	5000K

DIMENSIONS

DATE



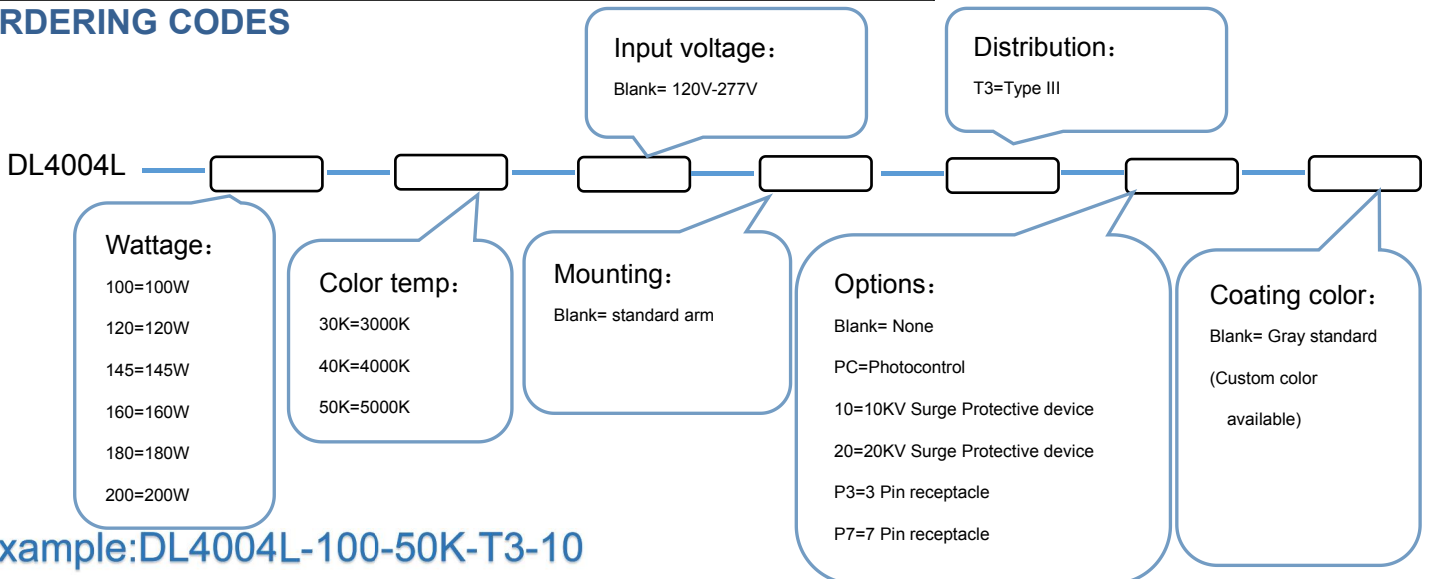
Effective Projected Area
 EPA=1.92 FT²
 Package:57.5x28.5x14CM
 Net Weight: 5.3 KG

DL4004L

FEATURES & OPTIONS

Photocontrol	10KV SPD	20KV SPD
		
NEMA 3-pin rotatable receptacle	NEMA 7-pin rotatable receptacle	
		

ORDERING CODES



Example:DL4004L-100-50K-T3-10