

SWP074L



APPLICATIONS:

- Commercial Buildings
- Factories
- Self Storage
- Walk Way



Project:

Type:

Prepared By:

Date:

FEATURES

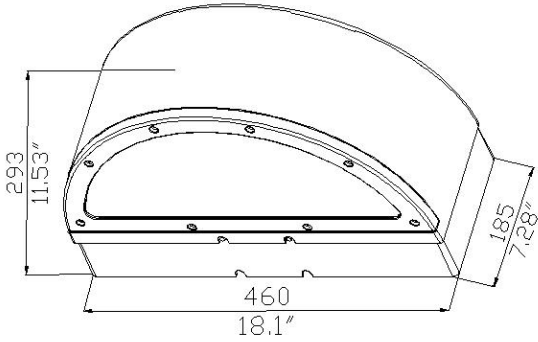
- High Pressure Die Cast Aluminum Housing and cover
- Type III Beam Spread built-in optics with ultra clear glass lens
- Receptacle and Photocontrol for optional
- Mounted to recessed outlet box or directly to walls
- Integrated Motion Sensor for optional
- Emergency backup driver for optional
- Long-life, high-efficiency surface mounting LEDs
- L70>50,000 Hours Rated Lifespan
- 5-year Warranty
- Ambient Temperature -35 to 40 ° C
- Fixture Protection Class IP65

LED/DRIVER

- Universal Input Voltage 120-277Vac 50/60Hz
- Line to Earth 6KV Surge Protection
- IP67 Rated LED Driver
- Power Factor > 0.90
- THD < 20%
- CRI > 70
- CCT ∴ 4000K/5000K

ITEM NO	Input Wattage	Input Voltage	LED Module	Delivered Lumens	Luminaire Efficacy	COLOR TEMP(CCT)
SWP074L40	40W	120-277V	2	4800 LM	120 LM/W	4000K/5000K
SWP074L60	60W	120-277V	3	7200 LM	120 LM/W	4000K/5000K

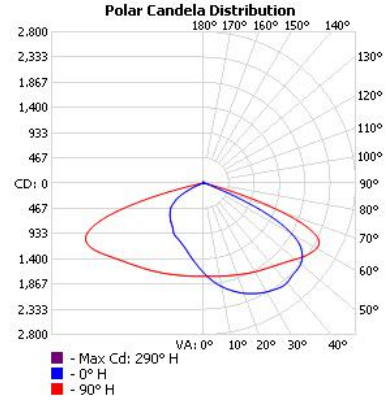
DIMENSIONS



40W/60W

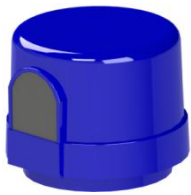
PHOTOMETRICS

TYPE III



PARTS

Photocontrol



Motion Sensor

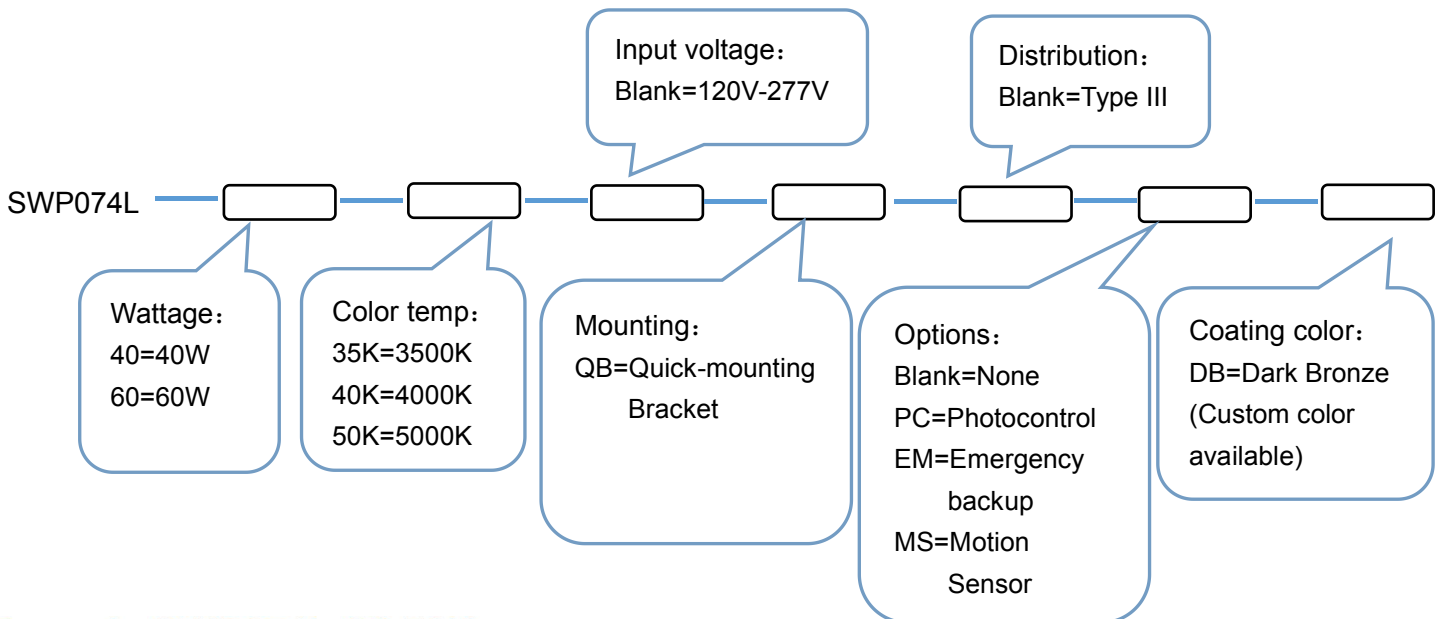


SHIPPING DATA

Package: 51x34.5x23.5 CM

Approximate Net Weight: 5.6 KG

ORDERING CODES



Example: SWP074L-60-50K