

SWP073L



APPLICATIONS:

- Commercial Buildings
- Factories
- Self Storage
- Walk Way



Project:

Type:

Prepared By:

Date:

FEATURES

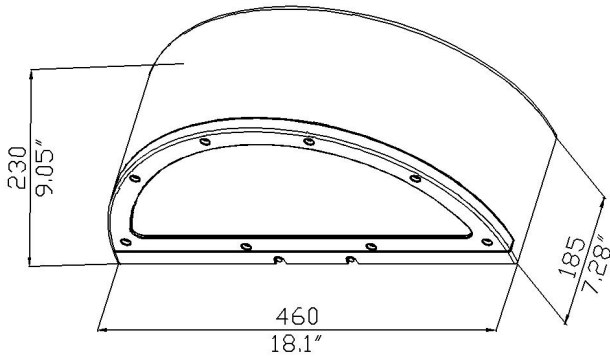
- High Pressure Die Cast Aluminum Housing and cover
- Type III Beam Spread built-in optics with ultra clear glass lens
- Receptacle and Photocontrol for optional
- Mounted to recessed outlet box or directly to walls
- Emergency backup driver for optional
- Long-life, high-efficiency surface mounting LEDs
- L70>50,000 Hours Rated Lifespan
- 5-year Warranty
- Ambient Temperature -35 to 40 ° C
- Fixture Protection Class IP65

LED/DRIVER

- Universal Input Voltage 120-277Vac 50/60Hz
- Line to Earth 6KV Surge Protection
- IP67 Rated LED Driver
- Power Factor > 0.90
- THD < 20%
- CRI > 70
- CCT ∴ 4000K/5000K

| ITEM NO | Input Wattage | Input Voltage | LED Module | Delivered Lumens | Luminaire Efficacy | COLOR TEMP(CCT) |
|-----------|---------------|---------------|------------|------------------|--------------------|-----------------|
| SWP073L40 | 40W | 120-277V | 2 | 4800 LM | 120 LM/W | 4000K/5000K |
| SWP073L60 | 60W | 120-277V | 3 | 7200 LM | 120 LM/W | 4000K/5000K |

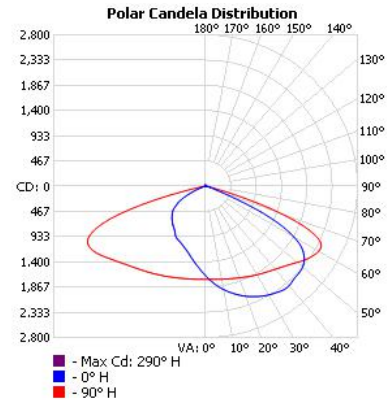
DIMENSIONS



40W/60W

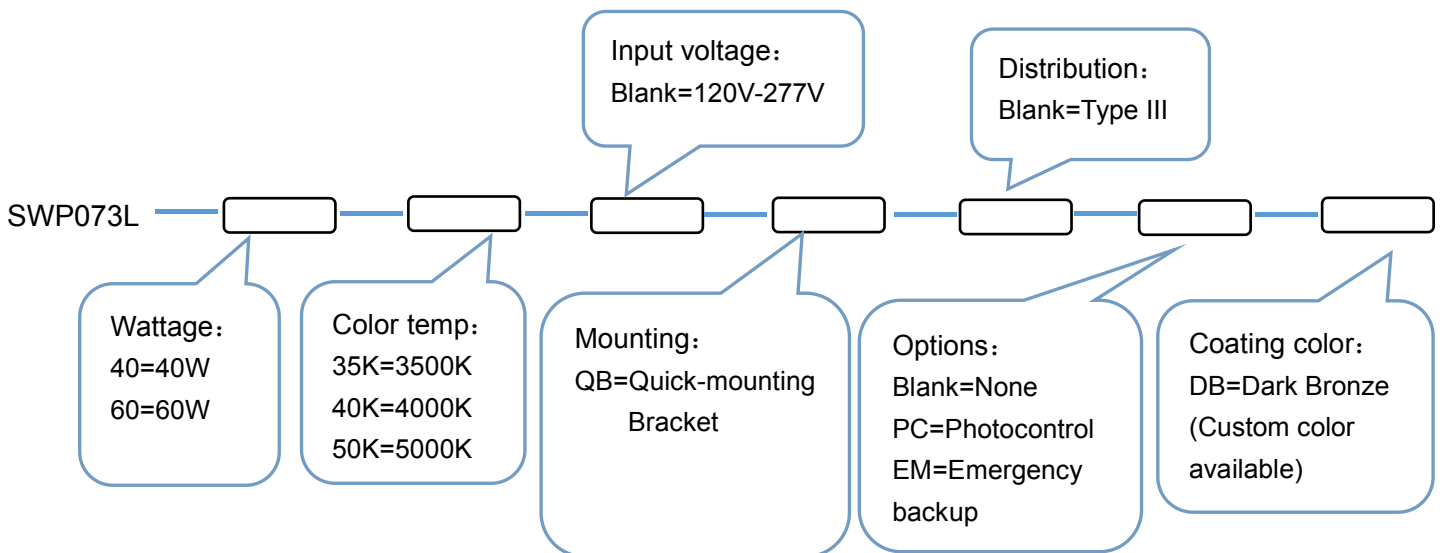
PHOTOMETRICS

TYPE III



| PARTS | SHIPPING DATA |
|--|---|
| <p>Photocontrol</p>  | <p>Package: 51x28x23.5 CM</p> <p>Approximate Net Weight: 5.2 KG</p> |

ORDERING CODES



Example: SWP073L-60-50K