

### SWP043L



Project:

Type:

Prepared By:

Date:

### FEATURES

- Die- cast aluminum housing & hinged front frame, 1/2 coin plugs
- bronze powder coat finish
- Aluminum reflector
- Clear Polycarbonate Prismatic Lens
- Mounted to recessed outlet box or directly to walls
- Long-life, high-efficiency surface mounting LEDs
- L70>50,000 Hours Rated Lifespan
- 5-year Warranty
- Ambient Temperature -35 to 40 °C
- IP67 Rated LED Module
- ETL Wet Location Listed

### APPLICATIONS:

- Walkway
- Perimeter Lighting
- Commercial Buildings
- Factories

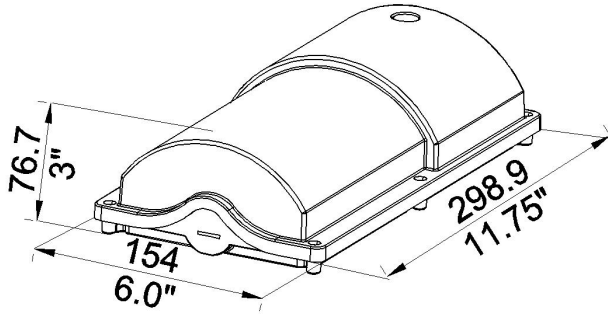


### LED/DRIVER

- Universal Input Voltage 120-277Vac 50/60Hz
- Optional Input Voltage 249-528Vac 50/60Hz
- Line to Earth 6KV Surge Protection
- IP67 Rated LED Driver
- Power Factor > 0.90
- THD < 20%
- CRI > 70
- CCT : 4000K/5000K

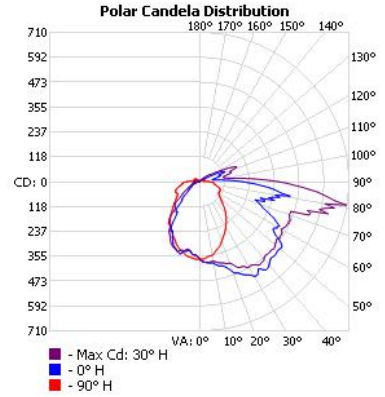
ITEM NO	Input Wattage	Input Voltage	LED Module	Delivered Lumens	Luminaire Efficacy	COLOR TEMP(CCT)
SWP043L20	20W	120-277	1	1960 LM	98 LM/W	5000 K

### DIMENSIONS



20W

### PHOTOMETRICS



### PARTS

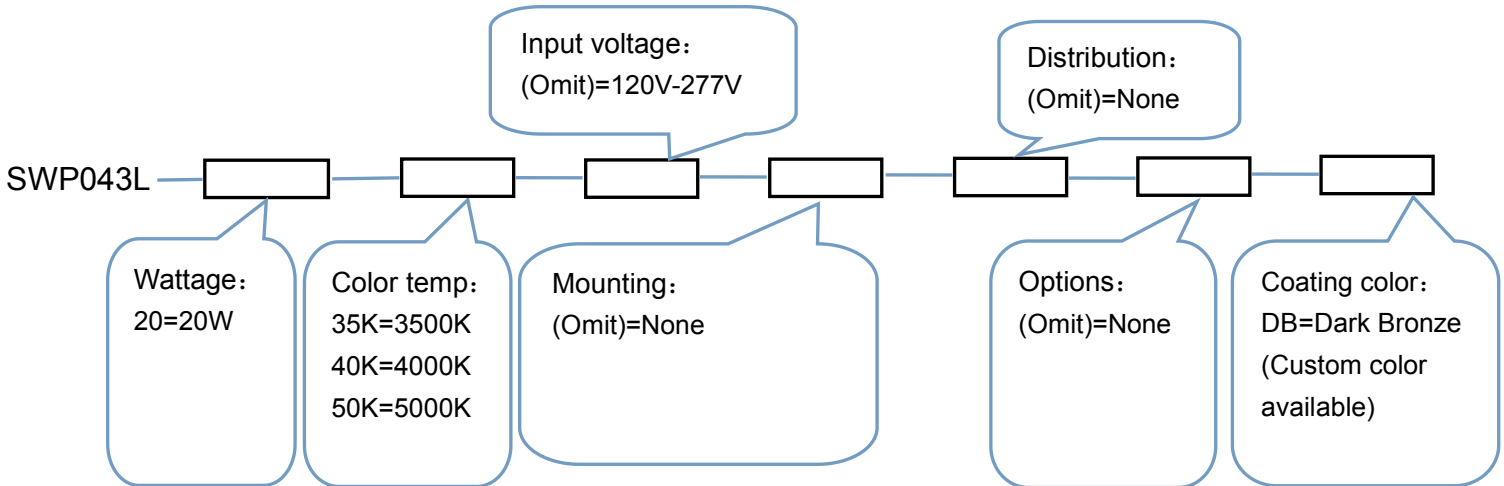
None
------

### SHIPPING DATA

Package: 16.5\*9.3\*31.5

Approximate Net Weight: 1.4 KG

### ORDERING CODES



Typical Order Example: SWP043L-20-50K-DB