

SFL126L



Project:	Type:
Prepared By:	Date:

APPLICATIONS:

- Building Exterior
- Loading Dock
- Security Lighting
- Walk Way



FEATURES

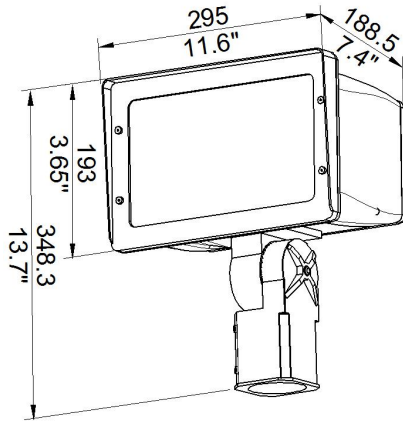
- High Pressure Die Cast, Powder Coated Aluminum Housing
- Vacuum metalized reflector
- Ultra clear glass lens
- Receptacle and Photocontrol for optional
- Slip fitter mount standard, Two-piece swivel bracket and Aluminum Extrusion Mounting Arms available
- Vandal shield and Wire Guard for optional
- Emergency backup driver for optional
- Long-life, high-efficiency surface mounting LEDs
- L70>50,000 Hours Rated Lifespan
- 5-year Warranty
- Ambient Temperature -35 to 40 °C
- Fixture Protection Class IP66
- EPA= 0.8 FT²
- ETL Wet Location Listed

LED/DRIVER

- Universal Input Voltage 120-277Vac 50/60 HZ
- Line to Earth 10KV Surge Protection
- IP67 Rated LED Driver
- Power Factor > 0.90
- THD < 20%
- CRI > 70
- CCT : 4000K/5000K

ITEM NO	Input Wattage	Input Voltage	LED Module	Delivered Lumens	Luminaire Efficacy	COLOR TEMP(CCT)
SFL126L	120W	120-277V	1	15240 LM	127 LM/W	4000K/5000K
SFL126L	90W	120-277V	1	12060 LM	134 LM/W	4000K/5000K

DIMENSIONS

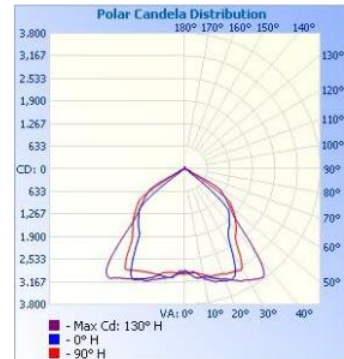


90W/120W

PHOTOMETRICS

NEMA Type:

6H x 6V Beam Spread



PARTS

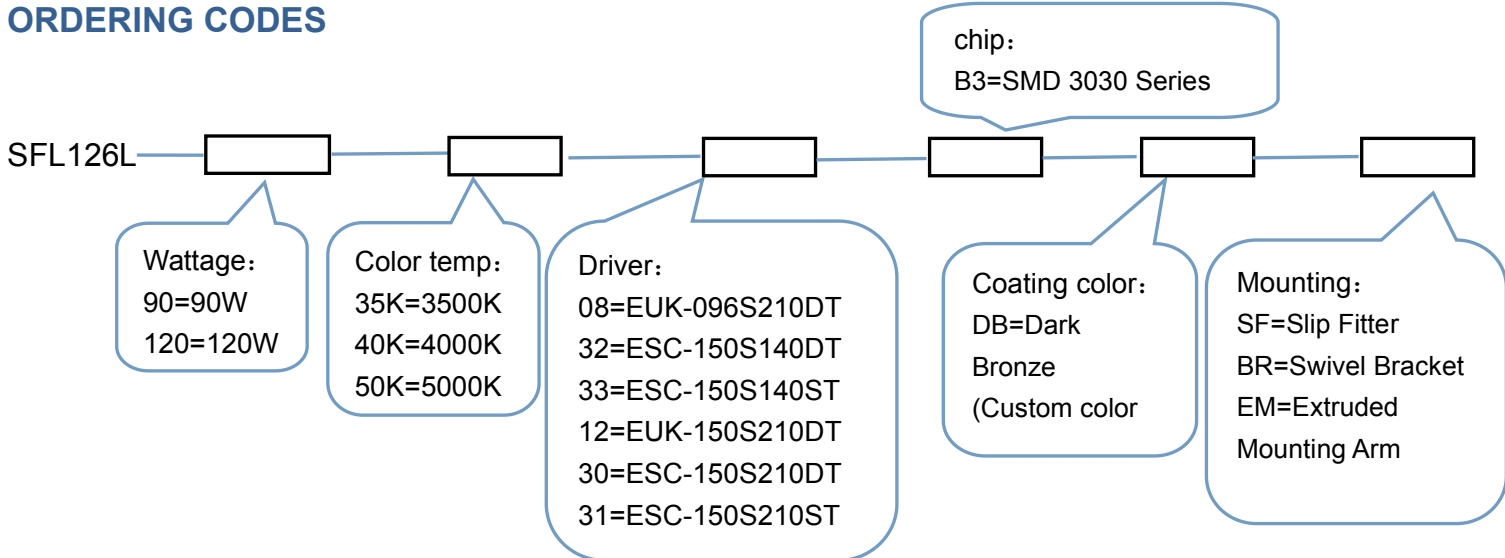
Slip fitter	Photocontrol	Photocontrol Vandal shield
Wire Guard	Two-Piece swivel bracket	6"/8"/10"/12" Aluminum Extrusion Mounting Arms

SHIPPING DATA

Package: 33.5x31.5x23.5 CM

Approximate Net Weight: 6.3 KG

ORDERING CODES



Typical Order Example: SFL126L-120-50K-13