

SFL125L



Project:	Type:
Prepared By:	Date:

FEATURES

- High Pressure Die Cast, Powder Coated Aluminum Housing
- Vacuum metalized reflector
- Ultra clear glass lens
- Receptacle and Photocontrol for optional
- Knuckle mount standard, Slip fitter, Two-piece swivel bracket , Aluminum Extrusion Mounting Arms available
- Vandal shield and Wire Guard for optional
- Emergency backup driver for optional
- Long-life, high-efficiency surface mounting LEDs
- L70>50,000 Hours Rated Lifespan
- 5-year Warranty
- Ambient Temperature -35 to 40 °C
- Fixture Protection Class IP66
- EPA= 0.56 FT²
- ETL Wet Location Listed

APPLICATIONS:

- Building Exterior
- Loading Dock
- Security Lighting
- Walk Way

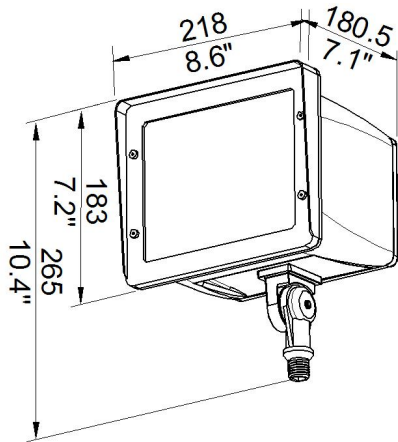


LED/DRIVER

- Universal Input Voltage 120-277Vac 50/60HZ
- Line to Earth 6KV Surge Protection
- IP67 Rated LED Driver
- Power Factor > 0.90
- THD < 20%
- CRI > 70
- CCT : 4000K/5000K

ITEM NO	Input Wattage	Input Voltage	LED Module	Delivered Lumens	Luminaire Efficacy	COLOR TEMP(CCT)
SFL125L	60W	120-277V	1	7380 LM	123 LM/W	4000K/5000K
SFL125L	45W	120-277V	1	5850 LM	130 LM/W	4000K/5000K
SFL125L	30W	120-277V	1	4110 LM	137 LM/W	4000K/5000K

DIMENSIONS

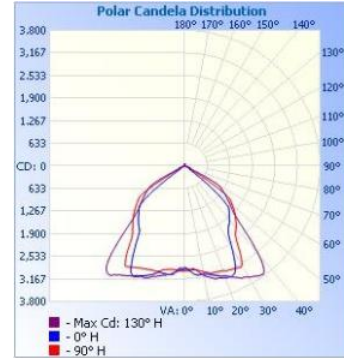


30W/45W/60W

PHOTOMETRICS

NEMA Type:

6H x 6V Beam Spread



PARTS

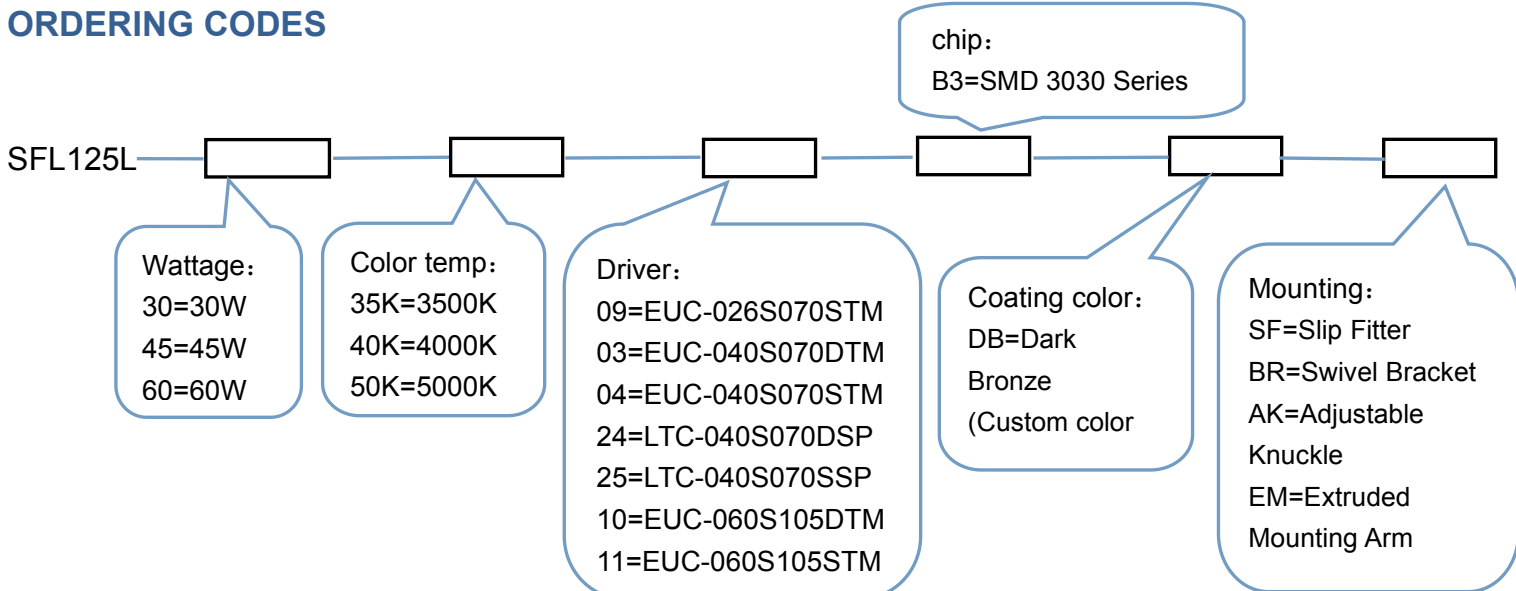
Adjustable Knuckle	Slip fitter	Photocontrol	Vandal shield
Wire Guard	Two-Piece swivel bracket	6"/8"/10"/12" Aluminum Extrusion Mounting Arms	

SHIPPING DATA

Package: 26x25.5x22.5 CM

Approximate Net Weight: 2.85 KG

ORDERING CODES



Typical Order Example: SFL125L-60-50K-10