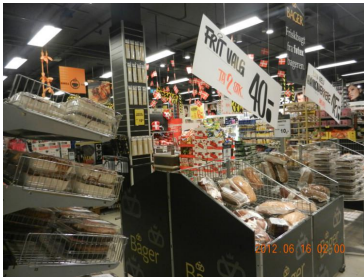


STB2L/4L



APPLICATIONS:

- Supermarket
- Offices
- Conference/Meeting Rooms



Project:

Type:

Prepared By:

Date:

FEATURES

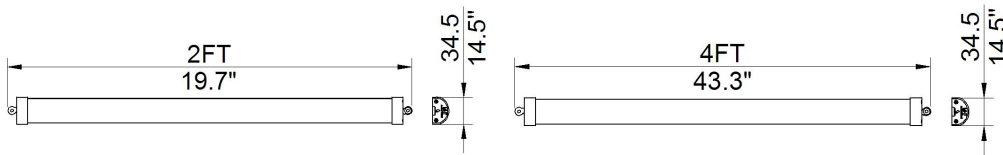
- Durable cold rolled steel housing with White powder coat Surface
- Standard durable and Low-gloss frosted acrylic lens
- Recessed mounting, Optional Surface Mount
- Long-life, high-efficiency surface mounting LEDs
- L70>50,000 Hours Rated Lifespan
- 5-year Warranty
- Ambient Temperature -35 to 40 °C
- ETL Dry Location Listed

LED/DRIVER

- Universal Input Voltage 120-277Vac 50/60 Hz
- Line to Earth 6KV Surge Protection
- Power Factor > 0.90
- THD < 20%
- CRI > 80
- CCT : 4000K/5000K

ITEM NO	Input Wattage	Input Voltage	LED Module	Delivered Lumens	Luminaire Efficacy	COLOR TEMP(CCT)
STB2L12	12W	120-277V	1	1440LM	120 LM/W	5000 K
STB2L14	14W	120-277V	1	1680LM	120 LM/W	5000 K
STB4L18	18W	120-277V	1	2160LM	120 LM/W	5000 K
STB4L21	21W	120-277V	1	2520LM	120 LM/W	5000 K

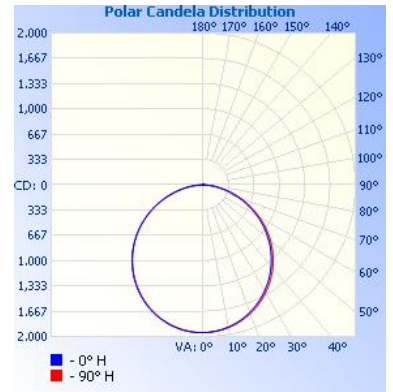
DIMENSIONS



STB2L

STB4L

PHOTOMETRICS



Part

None

SHIPPING DATA

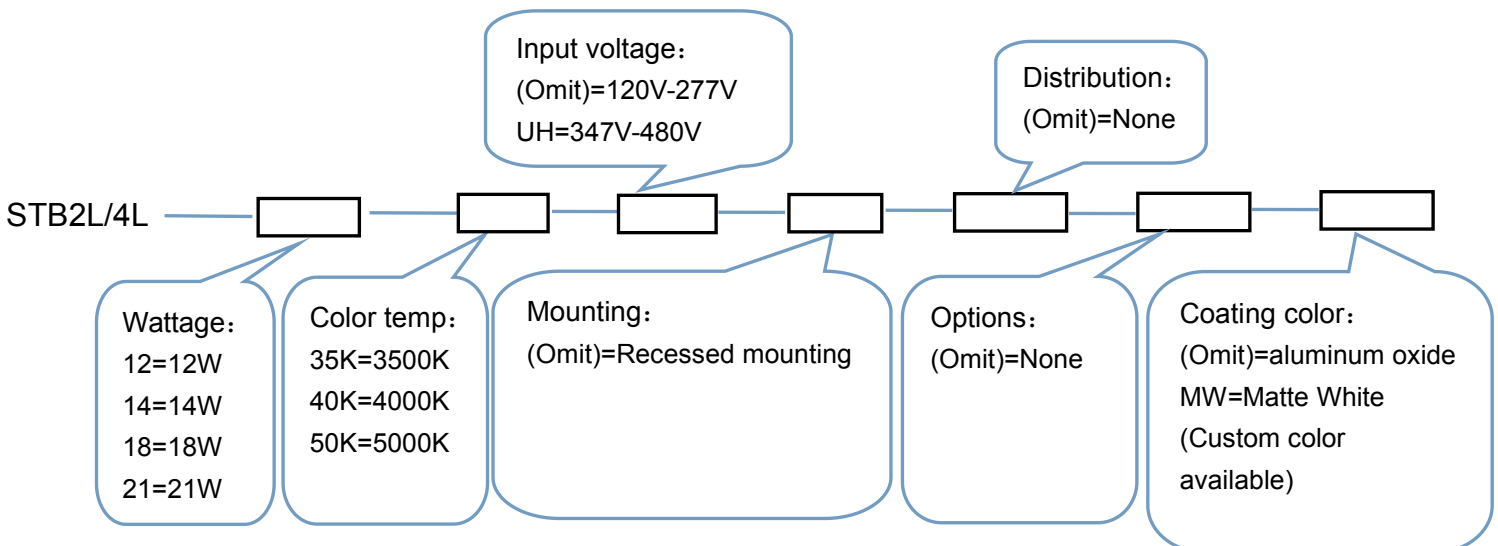
Package:

113*18*20 CM @ STB4L (35PCS/CTN)

Approximate Net Weight:

20 KG @ STB4L (35PCS/CTN)

ORDERING CODES



Typical Order Example: STB4L-21-50K