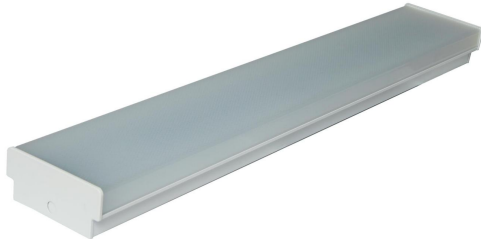


SWL2L/4L



APPLICATIONS:

- Supermarket
- Offices
- Conference/Meeting Rooms



Project:

Type:

Prepared By:

Date:

FEATURES

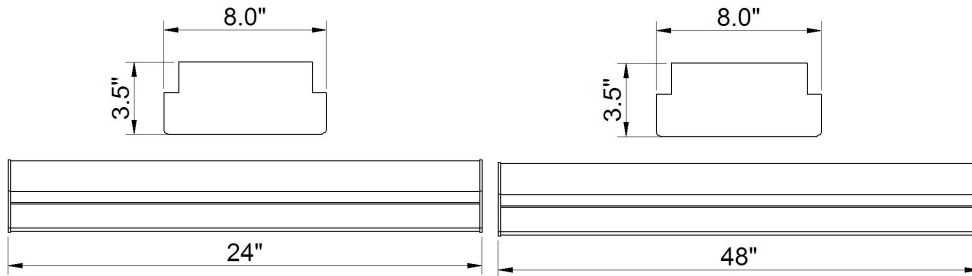
- Extruded aluminum housing with smooth finish, Anodized surface
- Standard durable and Low-gloss frosted acrylic lens
- 3/8" Rod Pendant mount , Horizontal Wall Mount Or Surface
- Long-life, high-efficiency surface mounting LEDs
- Integrated Motion Sensor for optional
- Integrated Emergency Battery for optional
- L70>50,000 Hours Rated Lifespan
- 5-year Warranty
- Ambient Temperature -35 to 40 °C
- ETL Dry Location Listed

LED/DRIVER

- Universal Input Voltage 120-277Vac 50/60 Hz
- Line to Earth 6KV Surge Protection
- Power Factor > 0.90
- THD < 20%
- CRI > 80
- CCT : 4000K/5000K

ITEM NO	Input Wattage	Input Voltage	LED Module	Delivered Lumens	Luminaire Efficacy	COLOR TEMP(CCT)
SWL2L25	25W	120-277V	1	4104 LM	108 LM/W	5000 K
SWL4L38	38W	120-277V	1	4256 LM	112 LM/W	5000 K
SWL4L50	50W	120-277V	1	5550 LM	111 LM/W	5000 K

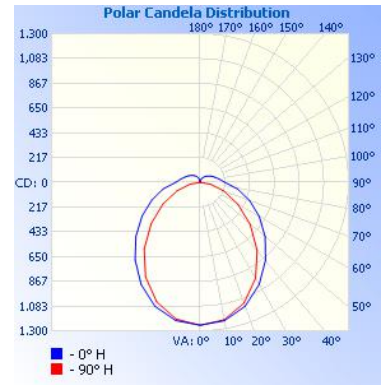
DIMENSIONS



SWL2L

SSL4L

PHOTOMETRICS



Part

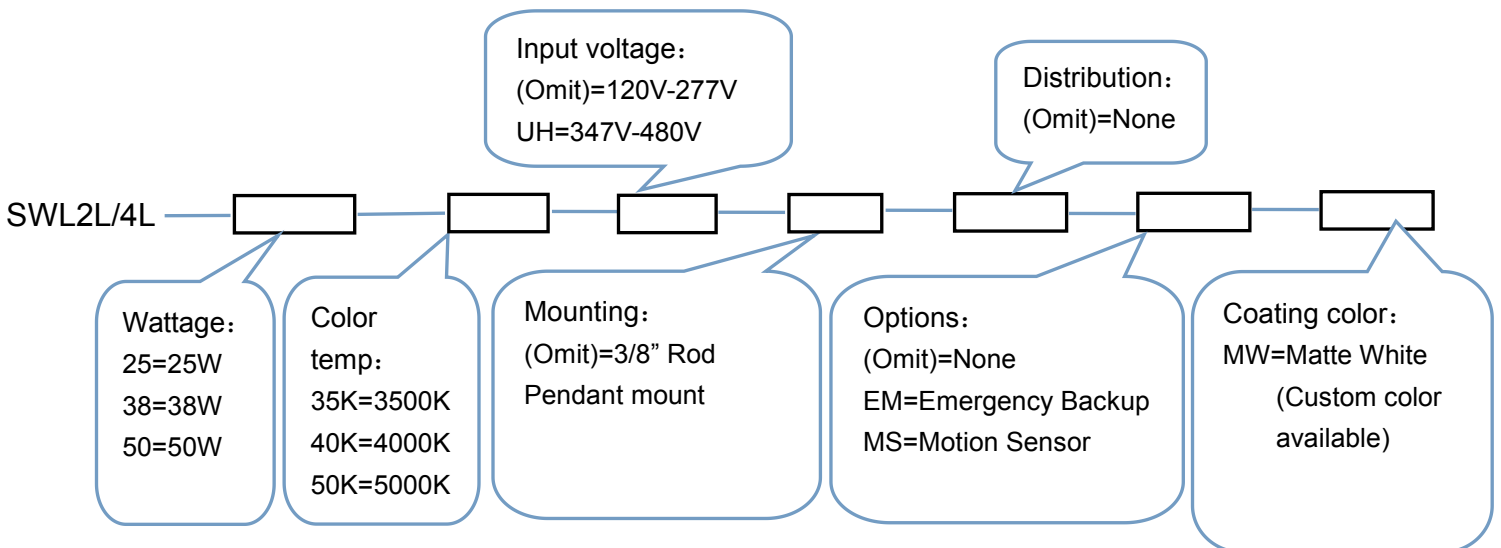
None

SHIPPING DATA

Package: 23*22*126 CM @ SWL4L

Approximate Net Weight: 8.3 KG @ SWL4L

ORDERING CODES



Typical Order Example: SWL4L-50-50K-MW