

SVLS22L/14L/24L



APPLICATIONS:

- Supermarket
- Offices
- Conference/Meeting Rooms



Project:

Type:

Prepared By:

Date:

FEATURES

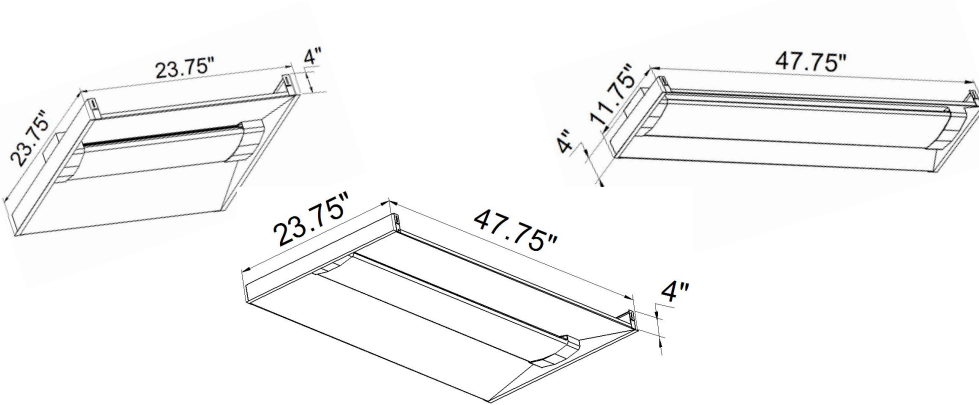
- Durable cold rolled steel housing with White powder coat
- Standard durable and Low gloss frosted acrylic lens
- Recessed mounting standard, Surface Mount for optional
- Long-life, high-efficiency surface mounting LEDs
- Integrated Motion Sensor for optional
- Integrated Emergency Battery for optional
- L70>50,000 Hours Rated Lifespan
- 5-year Warranty
- Ambient Temperature -35 to 40 °C
- ETL Dry Location Listed

LED/DRIVER

- Universal Input Voltage 120-277Vac 50/60 Hz
- Optional Input Voltage 249-528Vac 50/60 Hz
- Line to Earth 6KV Surge Protection
- Power Factor > 0.90
- THD < 20%
- CRI > 80
- CCT : 4000K/5000K

ITEM NO	Input Wattage	Input Voltage	LED Module	Delivered Lumens	Luminaire Efficacy	COLOR TEMP(CCT)
SVLS22L38	38W	120-277V	1	4560 LM	105 LM/W	5000 K
SVLS14L38	38W	120-277V	1	3150 LM	105 LM/W	5000 K
SVLS24L50	50W	120-277V	1	9000 LM	103 LM/W	5000 K

DIMENSIONS

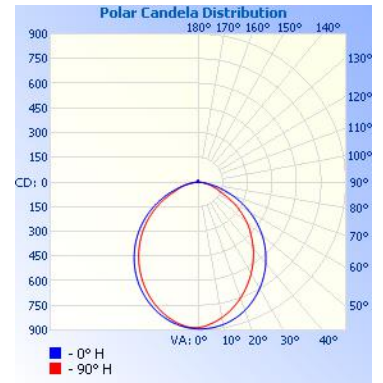


SVLS22L

SVLS24L

SVLS14L

PHOTOMETRICS



Part

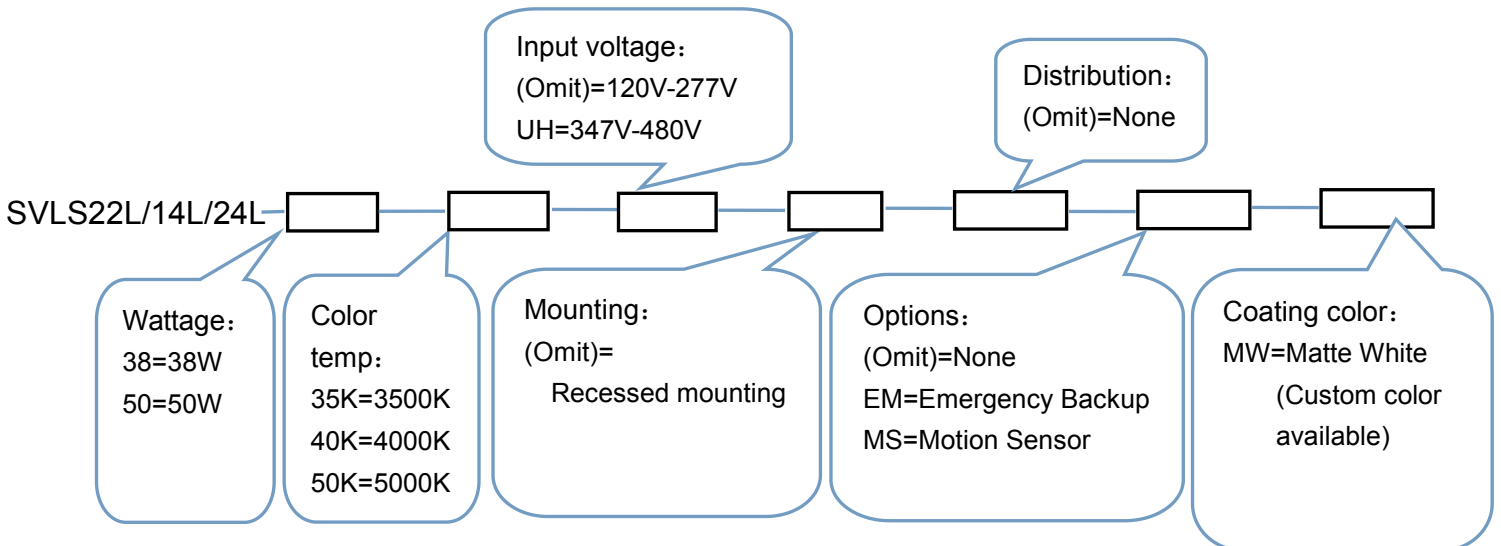
None

SHIPPING DATA

Package: 10*10*109.5 CM @ SLS4L

Approximate Net Weight: 3.5 KG @ SLS4LL

ORDERING CODES



Typical Order Example: SVLS24L-50-50K-MW