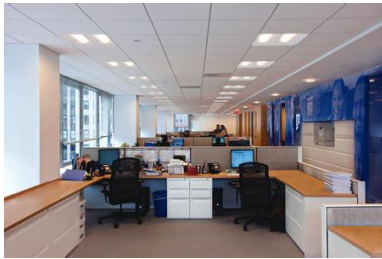


### SVL22L/24L



#### APPLICATIONS:

- Supermarket
- Offices
- Conference/Meeting Rooms



Project:

Type:

Prepared By:

Date:

#### FEATURES

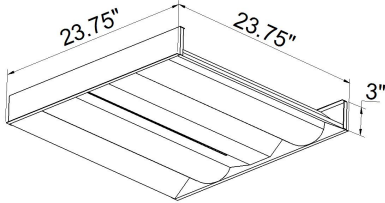
- Durable cold rolled steel housing with White powder coat
- Standard durable and Low gloss frosted acrylic lens
- Recessed mounting standard, Surface Mount for optional
- Long-life, high-efficiency surface mounting LEDs
- Integrated Motion Sensor for optional
- Integrated Emergency Battery for optional
- L70>50,000 Hours Rated Lifespan
- 5-year Warranty
- Ambient Temperature -35 to 40 °C
- ETL Dry Location Listed

#### LED/DRIVER

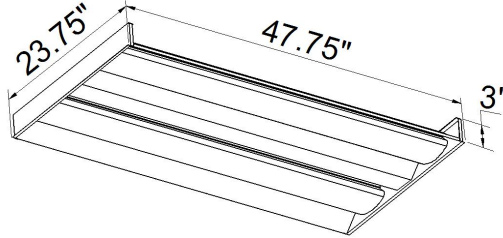
- Universal Input Voltage 120-277Vac 50/60 Hz
- Line to Earth 6KV Surge Protection
- Power Factor > 0.90
- THD < 20%
- CRI > 80
- CCT : 4000K/5000K

ITEM NO	Input Wattage	Input Voltage	LED Module	Delivered Lumens	Luminaire Efficacy	COLOR TEMP(CCT)
SVL22L38	38W	120-277V	1	3800 LM	100 LM/W	5000 K
SVL24L50	50W	120-277V	1	5100 LM	102 LM/W	5000 K

### DIMENSIONS

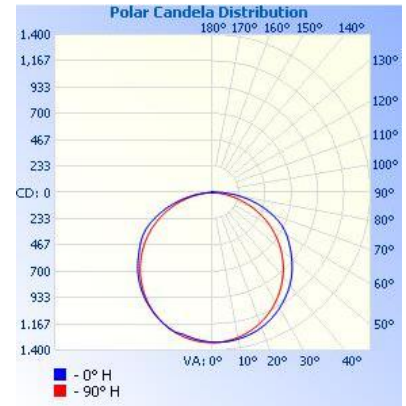


SVL22L



SVL24L

### PHOTOMETRICS



### Part

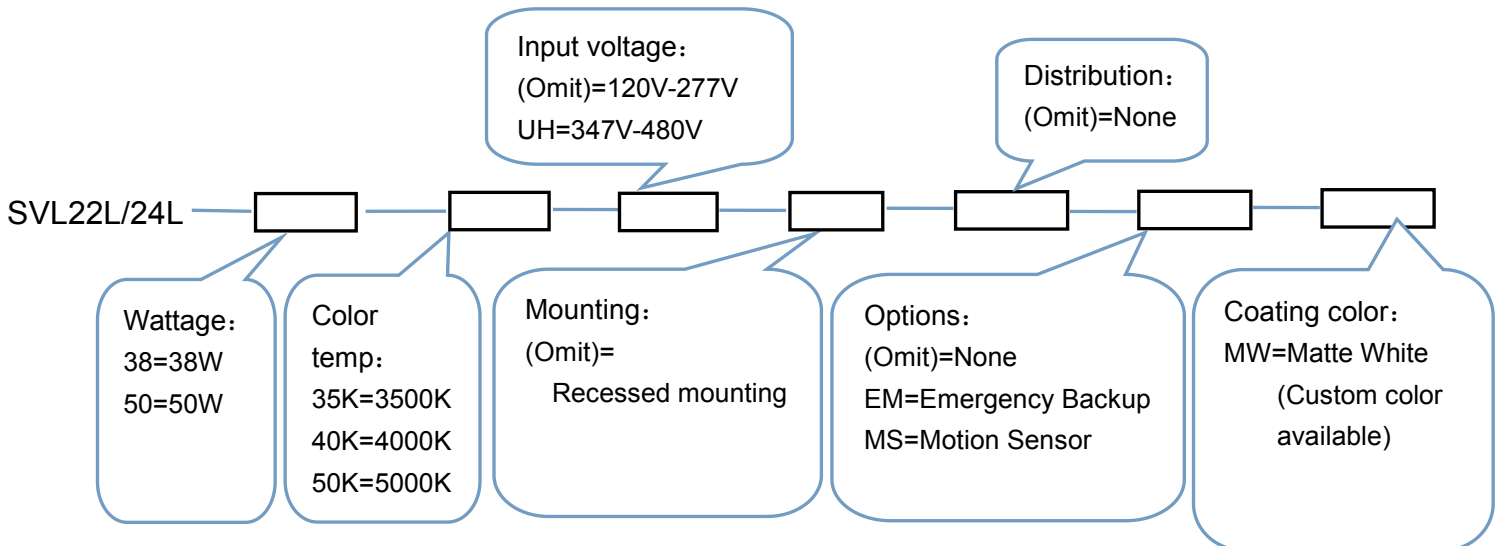
None
------

### SHIPPING DATA

Package: 127\*66.5\*10 CM @ SVL24L

Approximate Net Weight: 8.1 KG @ SVL24L

### ORDERING CODES



Typical Order Example: SVL24L-50-50K-MW