

SWP071L



APPLICATIONS:

- Walkway
- Self Storage
- Commercial Buildings
- Factories



Project:

Type:

Prepared By:

Date:

FEATURES

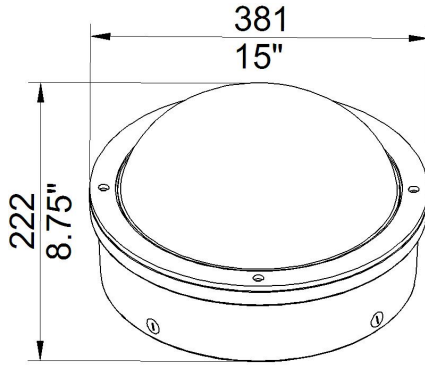
- Die- cast aluminum housing & hinged front frame, 1/2 coin plugs
- Aluminum reflector
- Prismatic borosilicate glass lens standard, Poly carbonate optical lens and Half-flame for optional
- Mounted to recessed outlet box or directly to walls
- Long-life, high-efficiency surface mounting LEDs
- L70>50,000 Hours Rated Lifespan
- 5-year Warranty
- Ambient Temperature -35 to 40 °C
- IP67 Rated LED Module
- Fixture Protection Class IP65
- ETL Wet Location Listed

LED/DRIVER

- Universal Input Voltage 120-277Vac 50/60Hz
- Optional Input Voltage 249-528Vac 50/60Hz
- Line to Earth 6KV Surge Protection
- IP67 Rated LED Driver
- Power Factor > 0.90
- THD < 20%
- CRI > 70
- CCT : 4000K/5000K

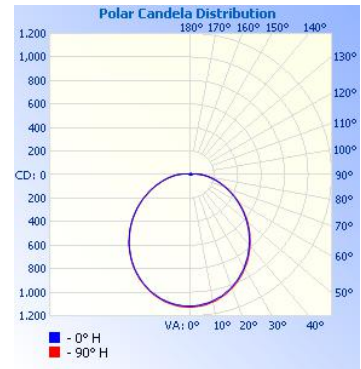
ITEM NO	Input Wattage	Input Voltage	LED Module	Delivered Lumens	Luminaire Efficacy	COLOR TEMP(CCT)
SWP071L48	48W	120-277V	1	5040 LM	105 LM/W	5000 K
SWP071L36	36W	120-277V	1	3780 LM	105 LM/W	5000 K

DIMENSIONS



36W/48W

PHOTOMETRICS



PARTS

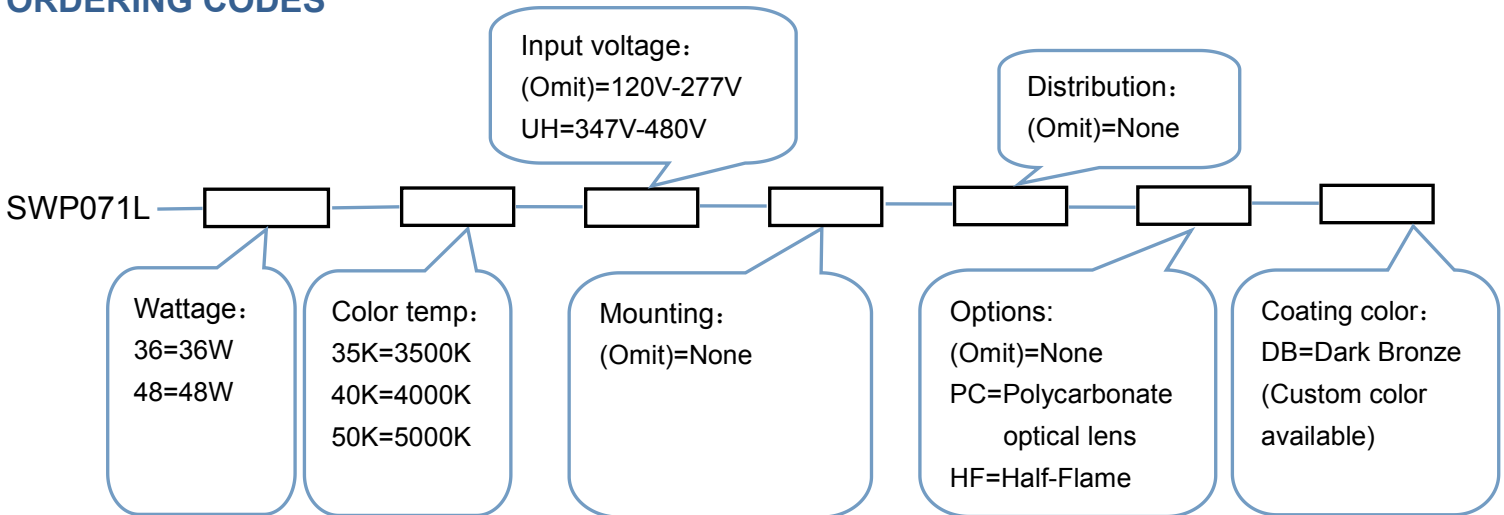
Polycarbonate optical lens	Half-Flame

SHIPPING DATA

Package: 42.5*41.5*27 CM

Approximate Net Weight: 7.2 KG

ORDERING CODES



Typical Order Example: SWP071L-48-50K-DB