

SFL112L



Project:

Type:

Prepared By:

Date:

FEATURES

- High Pressure Die Cast, Powder Coated Aluminum Housing
- Aluminum reflector
- Poly carbonate optical lens: Type IV medium, Type III medium
Type V
- Receptacle and Photocontrol for optional
- Slip fitter mount standard, Two-piece swivel bracket and
Aluminum Extrusion Mounting Arms available
- Light shield for optional
- Emergency backup driver for optional
- Long-life, high-efficiency surface mounting LEDs
- L70>50,000 Hours Rated Lifespan
- 5-year Warranty
- Ambient Temperature -35 to 40 °C
- Fixture Protection Class IP65
- EPA= 1.16 FT²
- ETL Wet Location Listed

APPLICATIONS:

- Building Exterior
- Loading Dock
- Security Lighting
- Walk Way

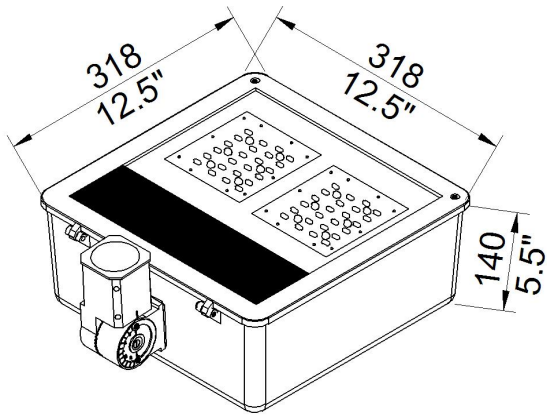


LED/DRIVER

- Universal Input Voltage 120-277Vac 50/60 Hz
- Optional Input Voltage 249-528Vac 50/60 Hz
- Line to Earth 10KV Surge Protection
- IP67 Rated LED Driver
- Power Factor > 0.90
- THD < 20%
- CRI > 70
- CCT : 4000K/5000K

ITEM NO	Input Wattage	Input Voltage	LED Module	Delivered Lumens	Luminaire Efficacy	COLOR TEMP(CCT)
SFL112L76	76W	120-277V	2	8588 LM	113 LM/W	5000 K
SFL112L45	45W	120-277V	1	4860 LM	108 LM/W	5000 K

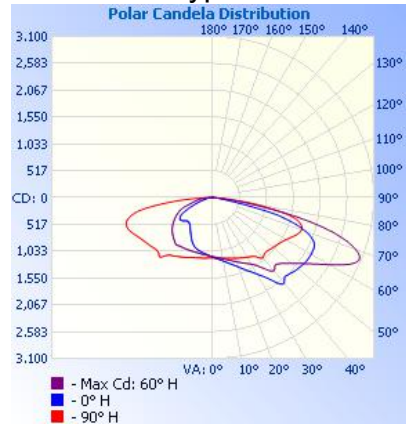
DIMENSIONS



45W/76W

PHOTOMETRICS

Type III



PARTS

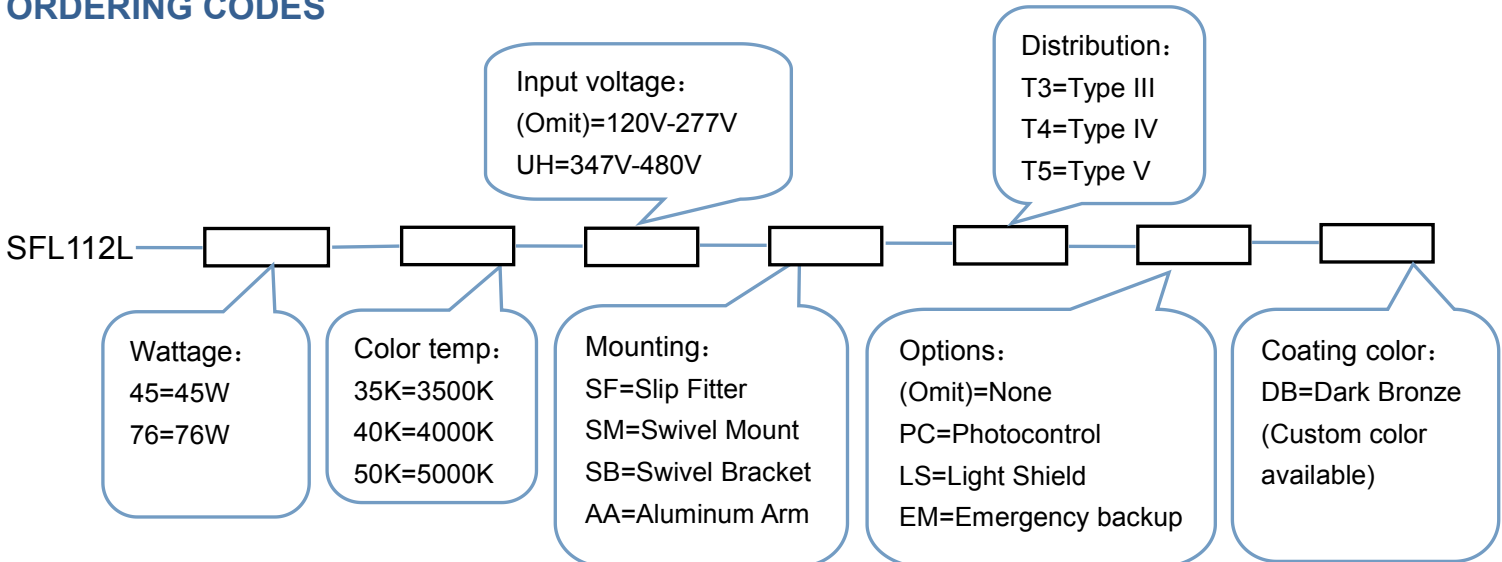
Slip fitter	Photocontrol	6"/8"/10"/12" Aluminum Extrusion Mounting Arms
Light shield	Two-Piece Swivel Bracket	

SHIPPING DATA

Package: 42*33*20.5 CM

Approximate Net Weight: 6.8 KG

ORDERING CODES



Typical Order Example: SFL112L-76-50K-SF-T3-DB