

SWP015L



Project:

Type:

Prepared By:

Date:

FEATURES

- High Pressure Die Cast, Powder Coated Aluminum Housing
- White powder coat steel reflector
- Polycarbonate lens
- Receptacle and Photocontrol standard
- Standard 1-5/8" arm (included) or surface mount
- Long-life, high-efficiency surface mounting LEDs
- L70>50,000 Hours Rated Lifespan
- 5-year Warranty
- Ambient Temperature -35 to 40 °C
- Fixture Protection Class IP65
- ETL Wet Location Listed
- DesignLights Consortium® Qualified

APPLICATIONS:

- Backyards
- Perimeter Lighting
- Security Lighting
- Service Roads

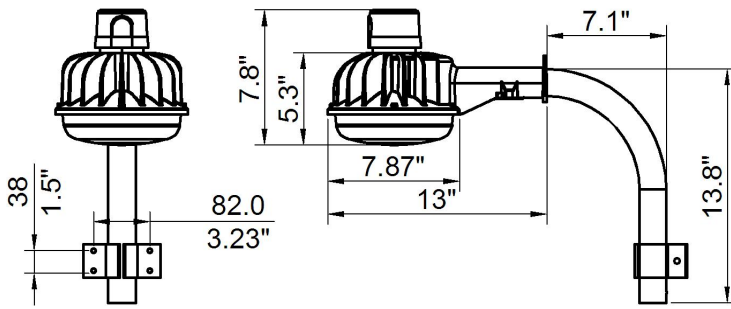


LED/DRIVER

- Universal Input Voltage 120-277Vac 50/60 Hz
- Optional Input Voltage 249-528Vac 50/60 Hz@SWP015L45
- Line to Earth 6KV Surge Protection
- IP67 Rated LED Driver
- Power Factor > 0.90
- THD < 20%
- CRI > 70
- CCT : 4000K/5000K

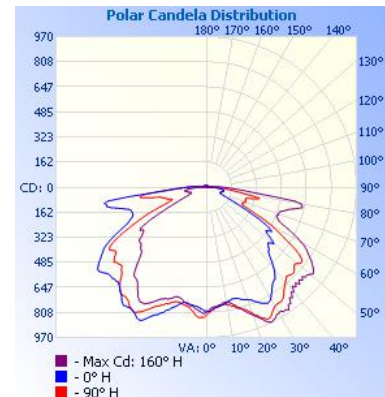
ITEM NO	Input Wattage	Input Voltage	LED Module	Delivered Lumens	Luminaire Efficacy	COLOR TEMP(CCT)	DLC Qualified
SWP015L45	45W	120-277V	1	4725 LM	105 LM/W	4000/5000 K	✓
SWP015L30	30W	120-277V	1	3060 LM	102 LM/W	5000 K	×

DIMENSIONS



30W/45W

PHOTOMETRICS



PARTS

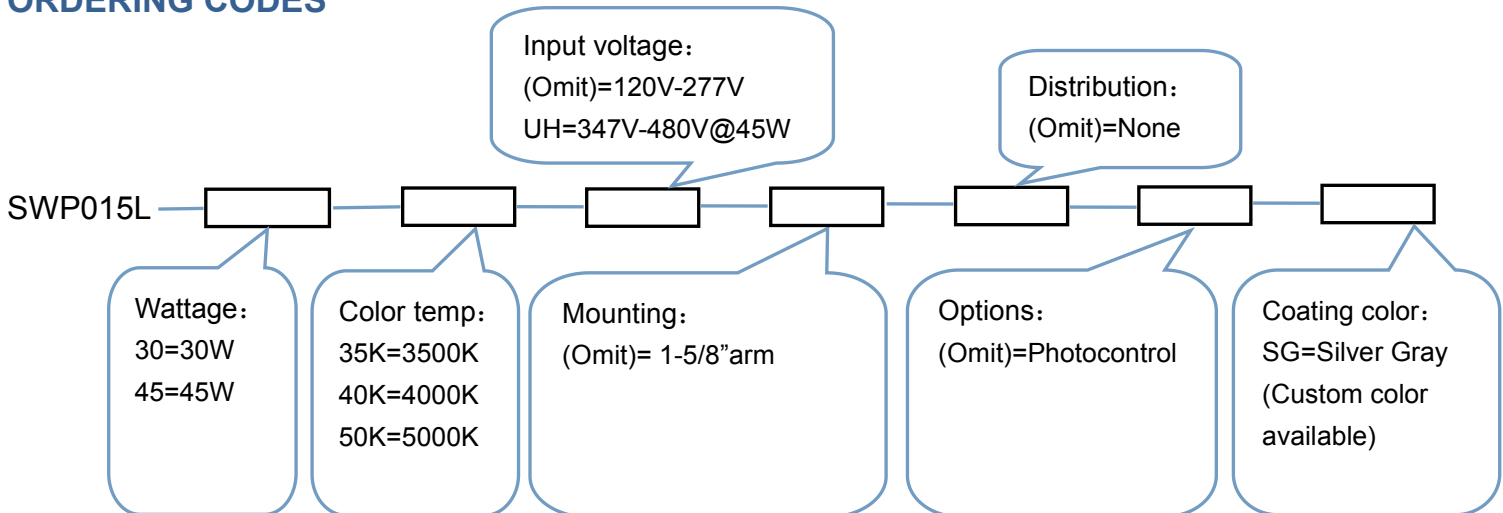
1-5/8" arm	Photocontrol

SHIPPING DATA

Package: 41*29*17.5 CM

Approximate Net Weight: 3.2 KG

ORDERING CODES



Typical Order Example: SWP015L-45-50K-SG