

SHB302L



Project:

Type:

Prepared By:

Date:

FEATURES

- High Pressure Die Cast, Powder Coated Aluminum Housing
Fin type aluminum alloy radiator
- Transparent glass standard, acrylic drop lens for optional
- Hook Mount standard, Down rod, swivel pendant for optional
- Long-life, high-efficiency surface mounting LEDs
- Integrated Motion Sensor for optional
- L70>50,000 Hours Rated Lifespan
- 5-year Warranty
- Ambient Temperature -35 to 40 °C
- Fixture Protection Class IP65
- ETL Wet Location Listed

APPLICATIONS:

- Shopping Centers
- Residential Areas
- Factory
- Airports

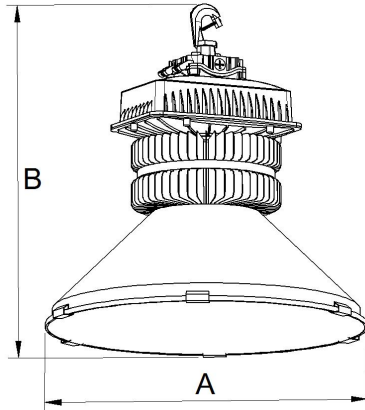


LED/DRIVER

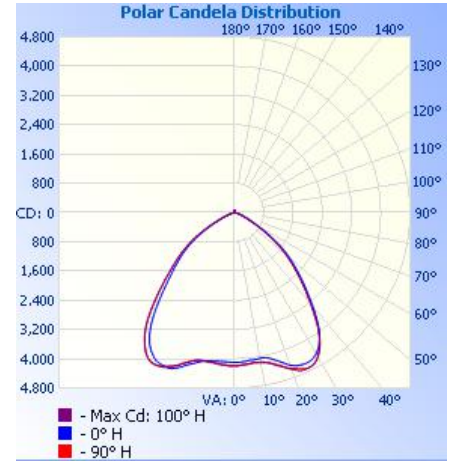
- Universal Input Voltage 120-277Vac 50/60 Hz
- Optional Input Voltage 249-528Vac 50/60 Hz
- Line to Earth 10KV Surge Protection
- IP67 Rated LED Driver
- Power Factor > 0.90
- THD < 20%
- CRI > 70
- CCT : 4000K/5000K

ITEM NO	Input Wattage	Input Voltage	LED Module	Delivered Lumens	Luminaire Efficacy	COLOR TEMP(CCT)
SHB302L110	110W	120-277V	1	11550 LM	105 LM/W	5000 K
SHB302L145	145W	120-277V	1	15225 LM	105 LM/W	5000 K
SHB302L195	195W	120-277V	1	20475 LM	105 LM/W	5000 K
SHB302L220	220W	120-277V	1	23100 LM	105 LM/W	5000 K
SHB302L295	295W	120-277V	1	30975 LM	105 LM/W	5000 K
SHB302L340	340W	120-277V	1	35700 LM	105 LM/W	5000 K
SHB302L390	390W	120-277V	1	40950 LM	105 LM/W	5000 K

DIMENSIONS

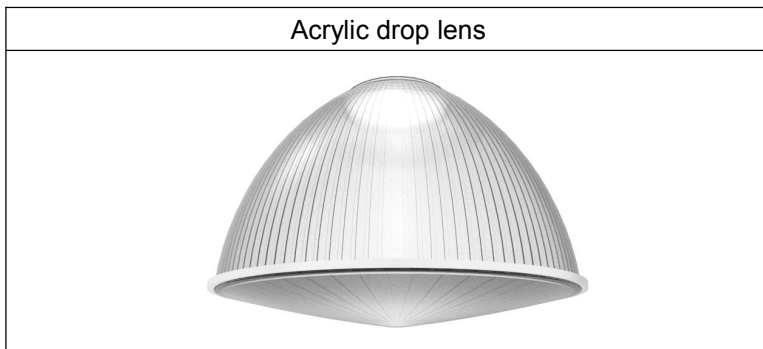


PHOTOMETRICS



WATTAGE	110W,145W 195W,220W	295W,340W	390W
DIMENSIONS(AXB)	22.5"x20.8"	22.5"x27"	22.5"x29.7"

PARTS

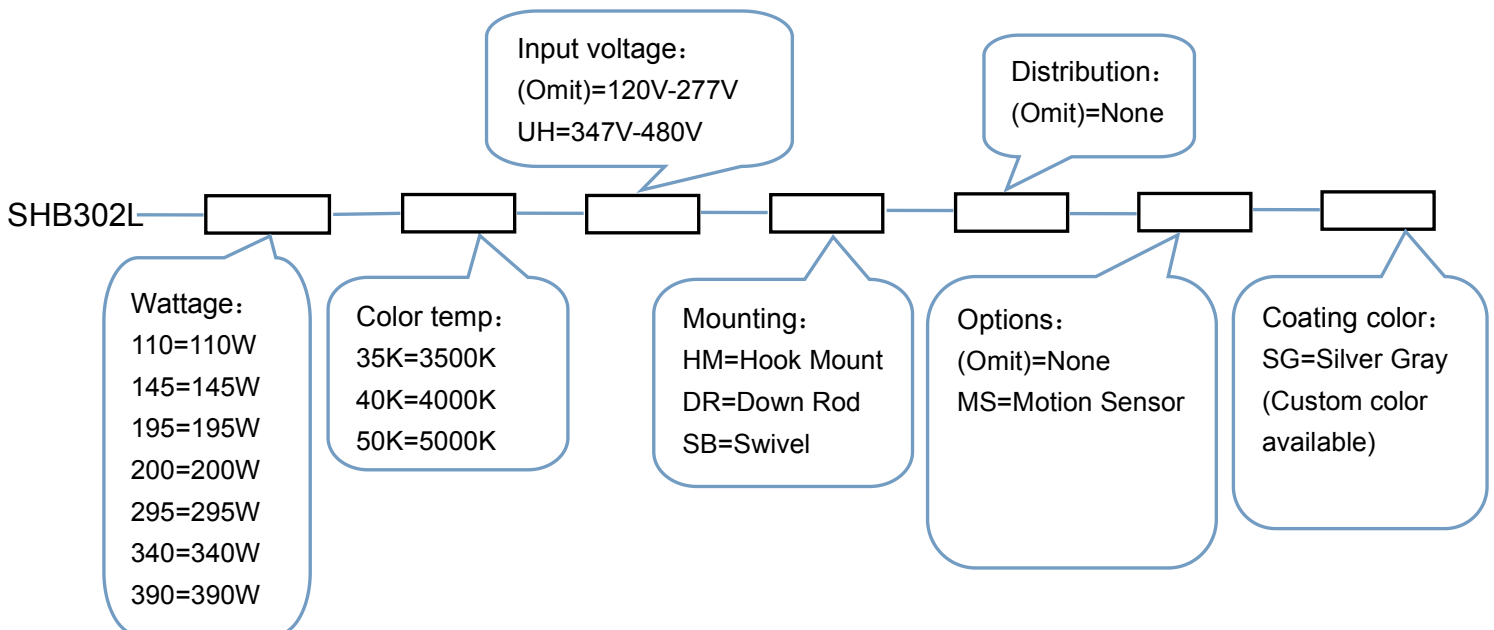


SHIPPING DATA

Package:
 58.5X58.5X56 CM @ SHB302L110,145,195,220
 58.5X58.5X70 CM @ SHB302L295,340
 58.5X58.5X77 CM @ SHB302L390

Approximate Net Weight:
 8.2 KG @ SHB302L110,145
 8.6 KG @ SHB302L195,220
 10.5 KG @ SHB302L295,340

ORDERING CODES



Typical Order Example: SHB302L-145-50K-HM-SG