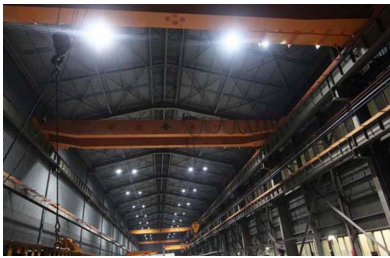


SHB402L



APPLICATIONS:

- Factories
- Foundries
- Machines shops
- Warehouse



Project:

Type:

Prepared By:

Date:

FEATURES

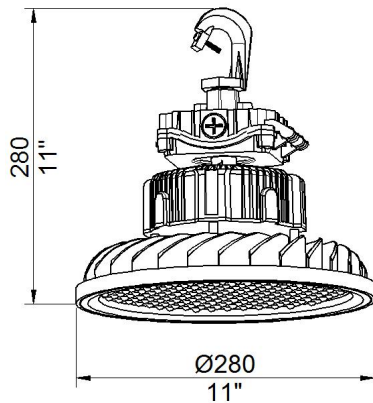
- High Pressure Die Cast, Powder Coated Aluminum Housing
- Polycarbonate Lens; beam angle 60°, 110°, 120°
- Hook Mount standard, Down rod for optional
- Aluminum reflectors for optional
- Long-life, high-efficiency surface mounting LEDs
- L70>50,000 Hours Rated Lifespan
- 5-year Warranty
- Ambient Temperature -35 to 40 °C
- Fixture Protection Class IP65
- ETL Wet Location Listed

LED/DRIVER

- Universal Input Voltage 120-277Vac 50/60 Hz
- Line to Earth 4KV Surge Protection
- IP65 Rated LED Driver
- Power Factor > 0.90
- THD < 20%
- CRI > 70
- CCT : 4000K/5000K

| ITEM NO | Input Wattage | Input Voltage | LED Module | Delivered Lumens | Luminaire Efficacy | COLOR TEMP(CCT) |
|------------|---------------|---------------|------------|------------------|--------------------|-----------------|
| SHB402L200 | 200W | 120-277V | 1 | 25000 LM | 125 LM/W | 5000 K |

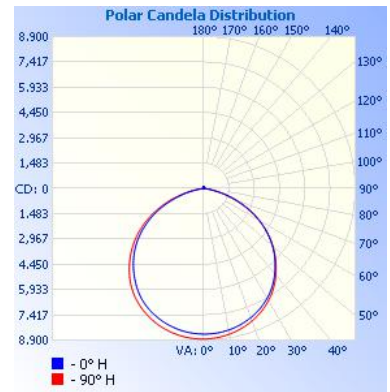
DIMENSIONS



200W

PHOTOMETRICS

V120 Beam Spread



PART

Aluminum reflectors

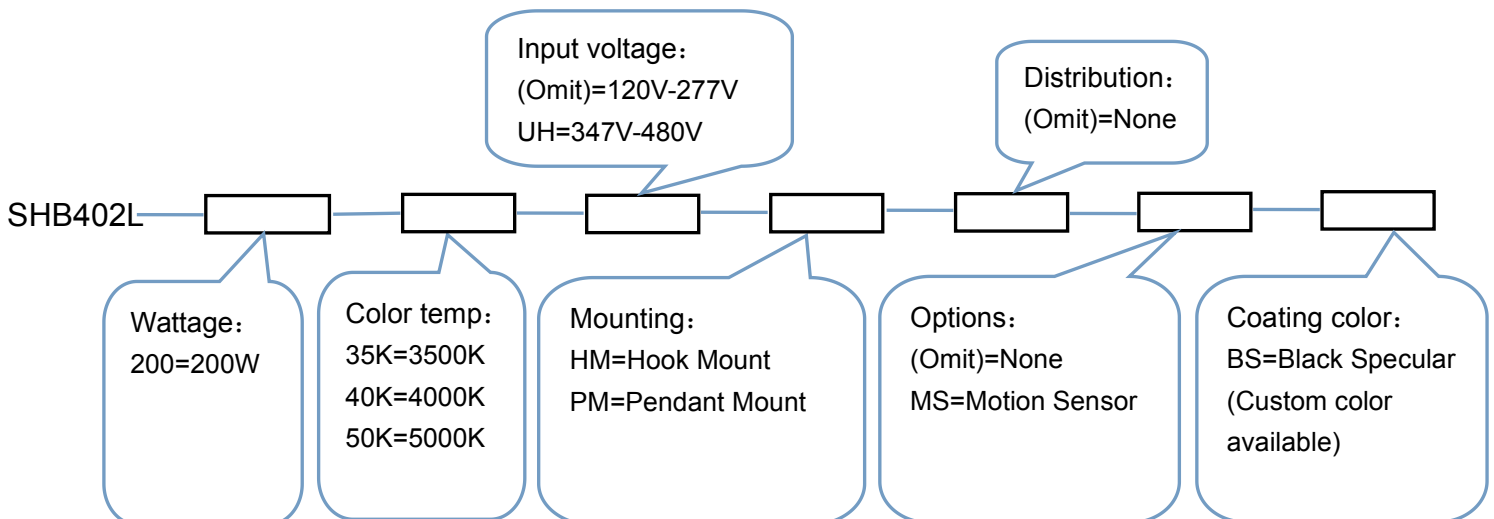


SHIPPING DATA

Package: 32x32x25 CM

Approximate Net Weight: 4.2 KG

ORDERING CODES



Typical Order Example: SHB402L-200-50K-HM-MW