

SWP034L



Project:

Type:

Prepared By:

Date:

FEATURES

- High Pressure Die Cast, Powder Coated Aluminum Housing
- Type III Beam Spread built-in optics with ultra clear glass lens
- Recessed outlet box or directly to wall,
Quick-mounting bracket available
- Emergency backup driver for optional
- Integrated Motion Sensor for optional
- Long-life, high-efficiency surface mounting LEDs
- L70>50,000 Hours Rated Lifespan
- 5-year Warranty
- Ambient Temperature -35 to 40 °C
- IP67 Rated LED Module
- ETL Wet Location Listed

APPLICATIONS:

- Walkway
- Perimeter Lighting
- Commercial Buildings
- Railway Platform

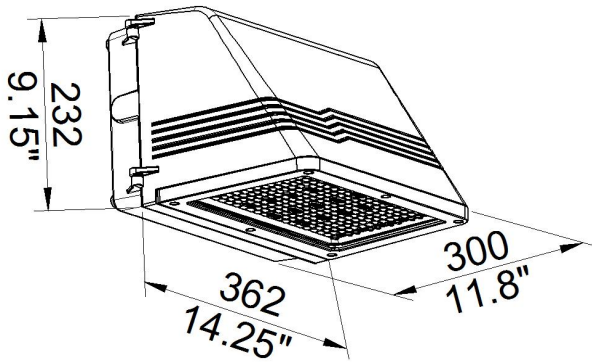


LED/DRIVER

- Universal Input Voltage 120-277Vac 50/60Hz
- Optional Input Voltage 249-528Vac 50/60Hz
- Line to Earth 10KV Surge Protection
- IP67 Rated LED Driver and Module
- Power Factor > 0.90
- THD < 20%
- CRI > 70
- CCT : 4000K/5000K

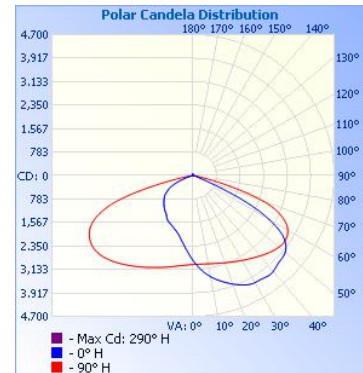
ITEM NO	Input Wattage	Input Voltage	LED Module	Delivered Lumens	Luminaire Efficacy	COLOR TEMP(CCT)
SWP034L100	100W	120-277V	5	12500 LM	125 LM/W	5000 K
SWP034L80	80W	120-277V	4	10000 LM	125 LM/W	5000 K
SWP034L60	60W	120-277V	3	7500 LM	125 LM/W	5000 K
SWP034L40	40W	120-277V	2	5000 LM	125 LM/W	5000 K

DIMENSIONS

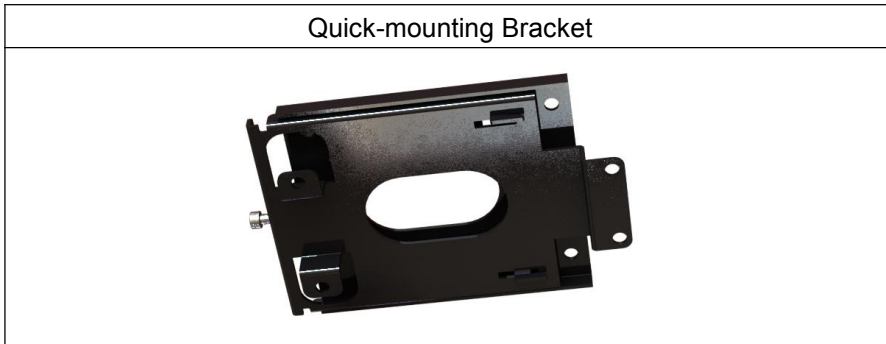


40W/60W/80W/100W

PHOTOMETRICS



PARTS

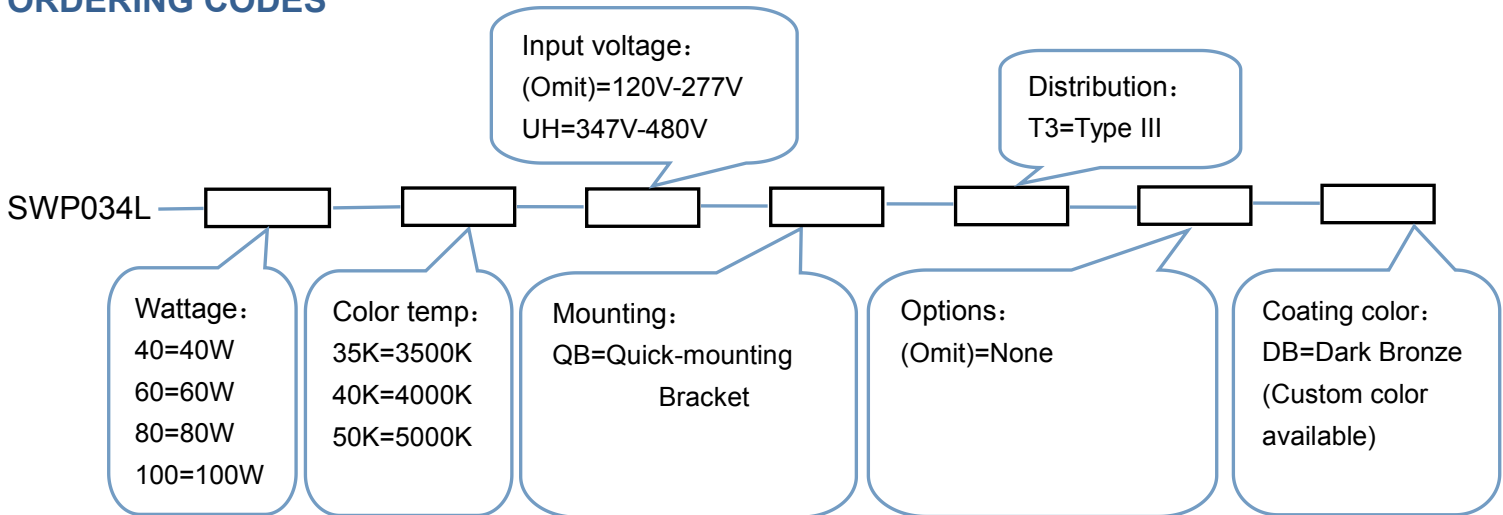


SHIPPING DATA

Package: 37*29*34 CM

Approximate Net Weight: 3.9 KG

ORDERING CODES



Typical Order Example: SWP034L-100-50K-QB-T3-DB