

SWP343L



Project:

Type:

Prepared By:

Date:

FEATURES

- High Pressure Die Cast, Powder Coated Aluminum Housing
- Poly carbonate optical lens: Type III medium, Type IV medium
Type V
- Easy hanger plate mount
- Emergency backup driver for optional
- Receptacle and Photocontrol for optional
- Long-life, high-efficiency surface mounting LEDs
- L70>50,000 Hours Rated Lifespan
- 5-year Warranty
- Ambient Temperature -35 to 40 °C
- IP67 Rated LED Module
- ETL Wet Location Listed

APPLICATIONS:

- Building Exterior
- Parking Garage
- Security Lighting
- Walkway

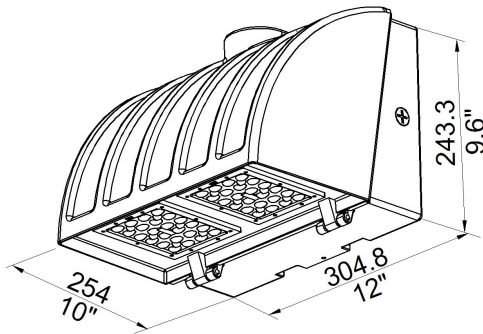


LED/DRIVER

- Universal Input Voltage 120-277Vac 50/60Hz
- Optional Input Voltage 249-528Vac 50/60Hz
- Line to Earth 10KV Surge Protection
- IP67 Rated LED Driver
- Power Factor > 0.90
- THD < 20%
- CRI > 70
- CCT : 4000K/5000K

ITEM NO	Input Wattage	Input Voltage	LED Module	Delivered Lumens	Luminaire Efficacy	COLOR TEMP(CCT)
SWP343L120	120W	120-277V	2	13800 LM	115 LM/W	5000 K
SWP343L100	100W	120-277V	2	11800 LM	118 LM/W	5000 K
SWP343L60	60W	120-277V	1	6900 LM	115 LM/W	5000 K

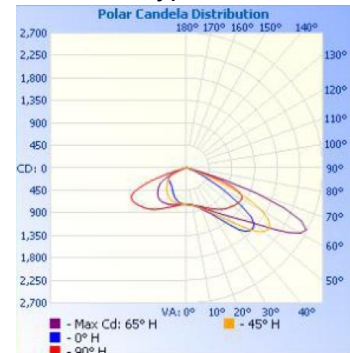
DIMENSIONS



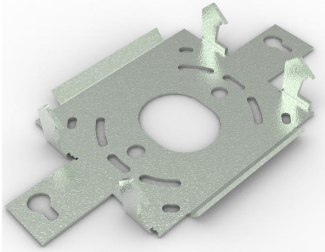
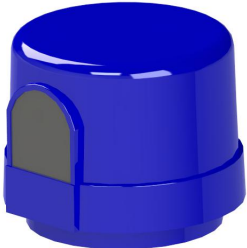
60W/100W/120W

PHOTOMETRICS

Type III



PARTS

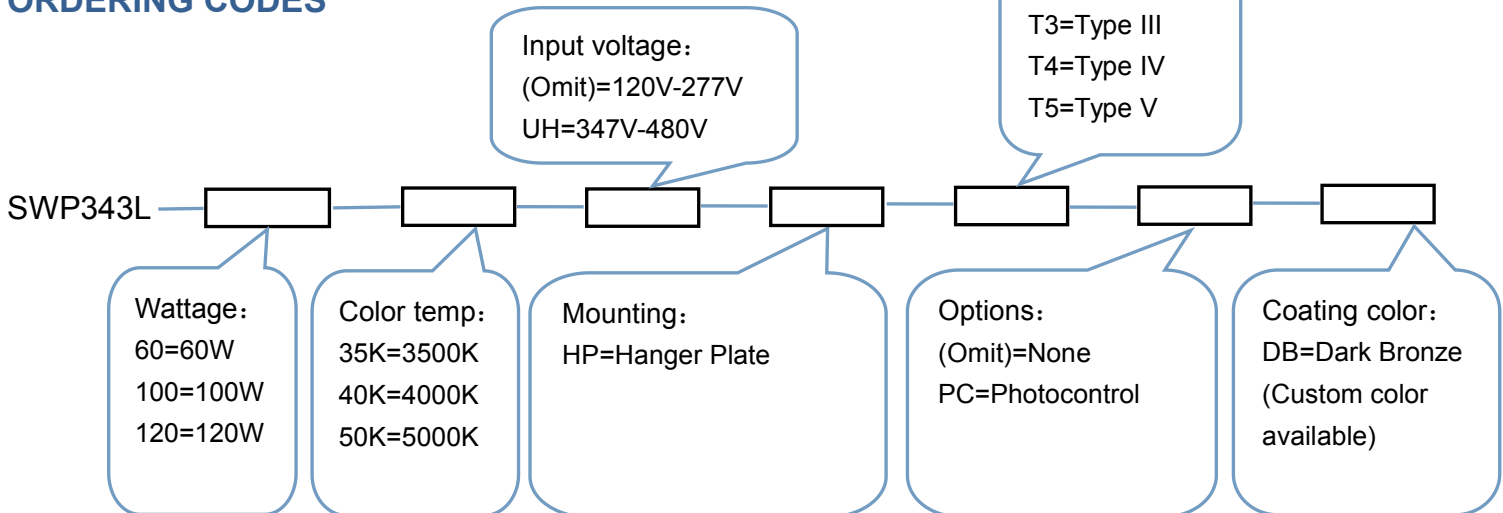
Easy Hanger Plate	Photocontrol
	

SHIPPING DATA

Package: 32.3*26.8*19.3 CM

Approximate Net Weight: 5.9 KG

ORDERING CODES



Typical Order Example: SWP343L-120-50K-HP-DB