

### SWP344L



Project:	Type:
Prepared By:	Date:

### FEATURES

- High Pressure Die Cast, Powder Coated Aluminum Housing
- Poly carbonate optical lens: Type IV medium, Type III medium  
Type V
- Easy hanger plate mount
- Emergency backup driver for optional
- Receptacle and Photocontrol for optional
- Long-life, high-efficiency surface mounting LEDs
- L70>50,000 Hours Rated Lifespan
- 5-year Warranty
- Ambient Temperature -35 to 40 °C
- IP67 Rated LED Module
- ETL Wet Location Listed

### APPLICATIONS:

- Building Exterior
- Parking Garage
- Security Lighting
- Walkway

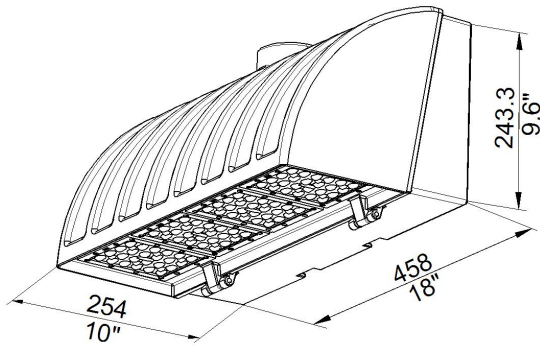


### LED/DRIVER

- Universal Input Voltage 120-277Vac 50/60Hz
- Optional Input Voltage 249-528Vac 50/60Hz
- Line to Earth 10KV Surge Protection
- IP67 Rated LED Driver
- Power Factor > 0.90
- THD < 20%
- CRI > 70
- CCT : 4000K/5000K

ITEM NO	Input Wattage	Input Voltage	LED Module	Delivered Lumens	Luminaire Efficacy	COLOR TEMP(CCT)
SWP344L200	200W	120-277V	4	23600 LM	118 LM/W	5000 K
SWP344L150	150W	120-277V	3	17700 LM	118 LM/W	5000 K

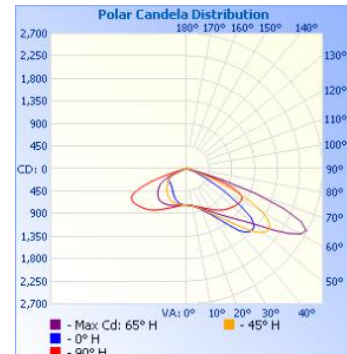
### DIMENSIONS



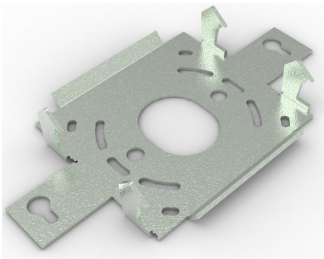
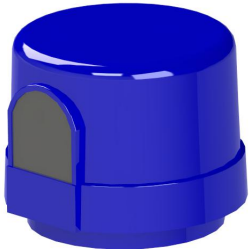
150W/200W

### PHOTOMETRICS

Type III



### PARTS

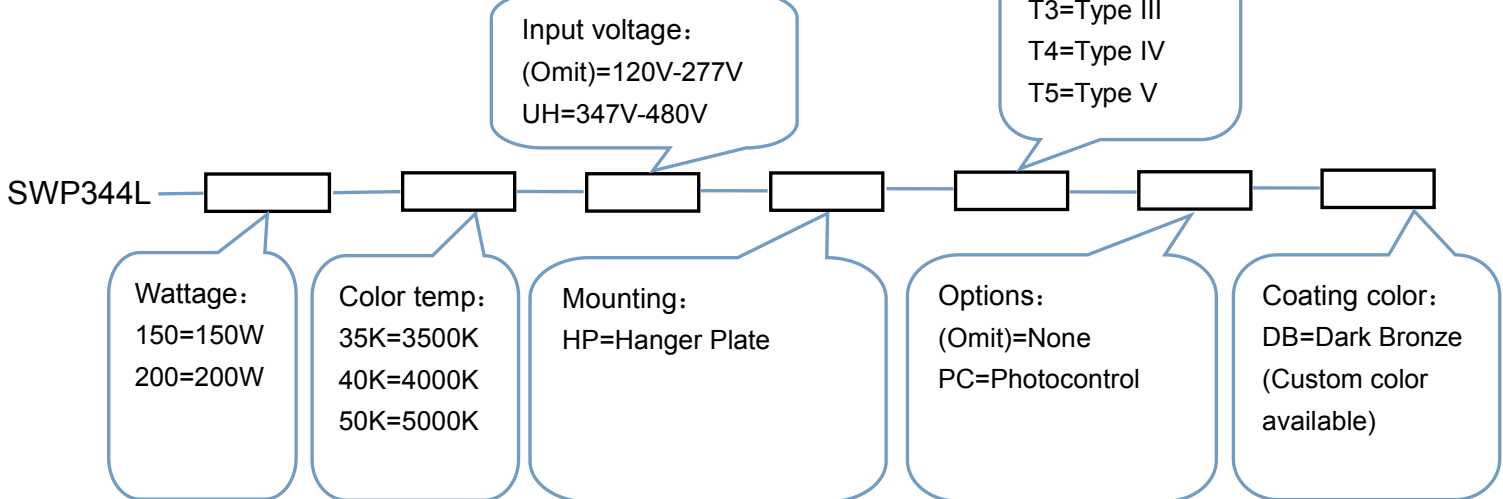
Easy Hanger Plate	Photocontrol
	

### SHIPPING DATA

Package: 51\*28.5\*31.5 CM

Approximate Net Weight: 9.5 KG

### ORDERING CODES



Typical Order Example: SWP344L-200-50K-HP-DB