

### SHB305L



Project:

Type:

Prepared By:

Date:

### FEATURES

- Combination of steel and aluminum housing
- MCPET reflector standard, Aluminum reflector for optional
- Clear PC Lens Standard, Frosted PC Lens for optional
- 120°X90° distribution standard, 120°X60° for optional
- 3/4" Pendant, hook or Chain/Cable Mount for optional
- Motion Sensor for optional
- Long-life, high-efficiency surface mounting LEDs
- L70>50,000 Hours Rated Lifespan
- 5-year Warranty
- Ambient Temperature -35 to 40 °C
- ETL Dry Location Listed

### APPLICATIONS:

- Shopping Centers
- Residential Areas
- Factory
- Airports

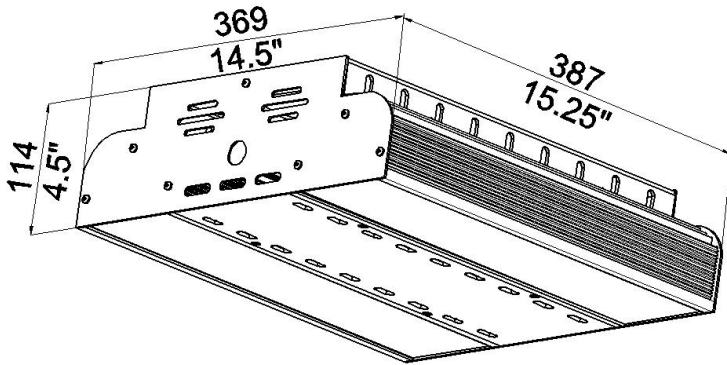


### LED/DRIVER

- Universal Input Voltage 120-277Vac 50/60 Hz
- Optional Input Voltage 249-528Vac 50/60 Hz
- Line to Earth 10KV Surge Protection
- IP67 Rated LED Driver
- Power Factor > 0.90
- THD < 20%
- CRI > 70
- CCT : 4000K/5000K

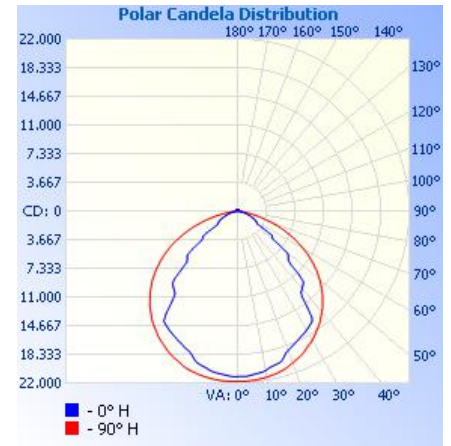
ITEM NO	Input Wattage	Input Voltage	LED Module	Delivered Lumens	Luminaire Efficacy	COLOR TEMP(CCT)	Lens
SHB305L230	230W	120-277V	2	32200 LM	140 LM/W	5000 K	Clear
SHB305L180	180W	120-277V	2	25200 LM	140 LM/W	5000 K	Clear
SHB305L130	130W	120-277V	2	18200 LM	140 LM/W	5000 K	Clear
SHB305L80	80W	120-277V	2	11200 LM	140 LM/W	5000 K	Clear

### DIMENSIONS

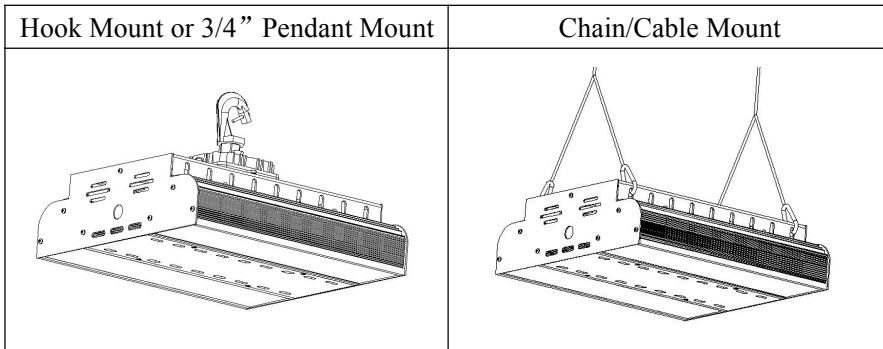


80W,130W,180W,230W

### PHOTOMETRICS



### MOUNT WAY

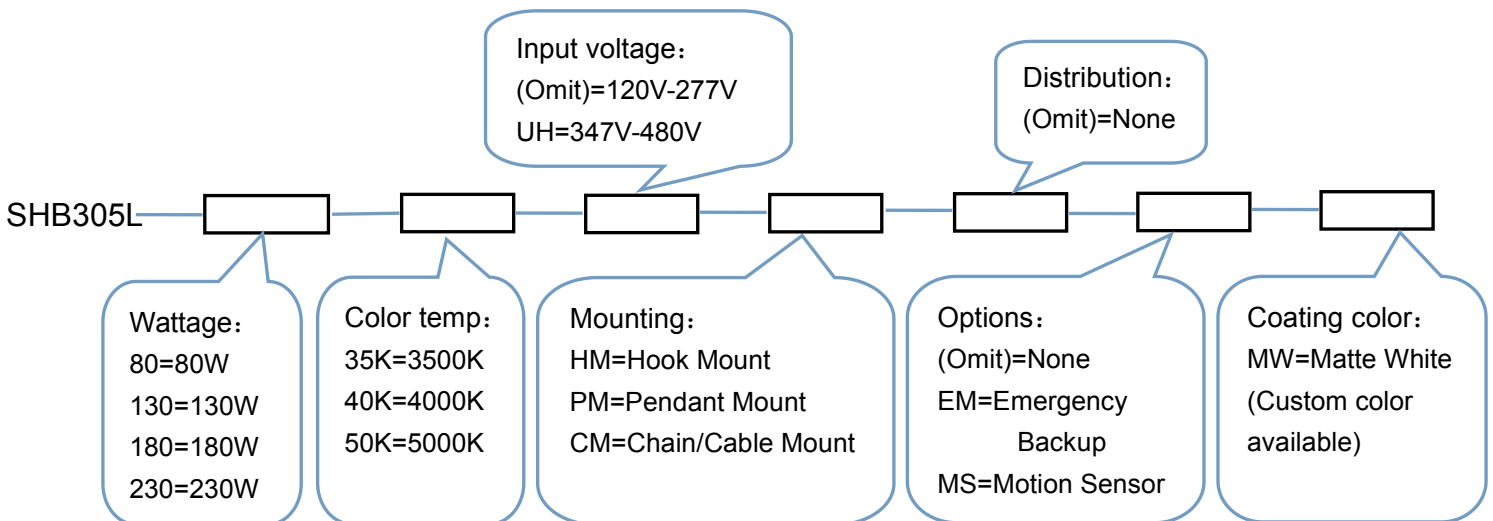


### SHIPPING DATA

Package: 44.5X42X16.5 CM

Approximate Net Weight: 8.8 KG

### ORDERING CODES



Typical Order Example: SHB305L-230-50K-HM-MW